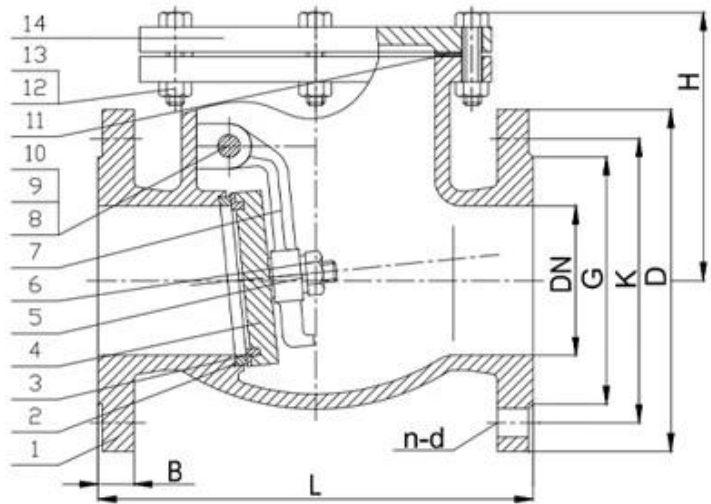
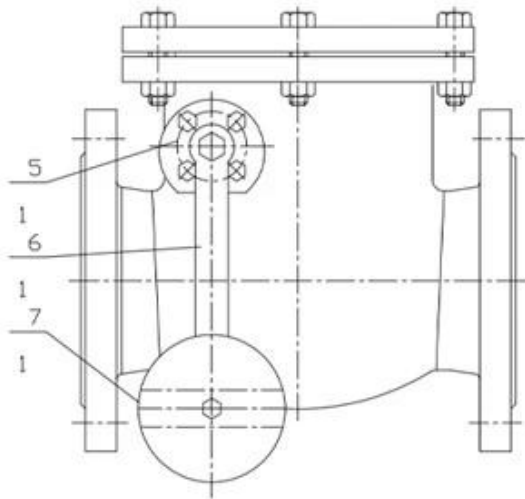


AWWA C515 ASME B16.1/16.42 BS5153 EN12266 0-80 °C 11/18bar 15/24bar 10/16bar DN40-DN400

AWWA C515 ASME B16.1/16.42 BS5153 EN12266 0-80 °C 11/18bar 15/24bar 10/16bar DN40-DN400

AWWA C515	ASME B16.1/16.42
BS5153	EN12266
0-80 °C	11/18bar
15/24bar	10/16bar
DN	DN40-DN400



APPLICATION SCENARIO



Industrial water application



Power plant



Sea water desalination



Water treatment



Water supply and drainage



HAVC



Food and drug



Water transport



COMPANY INFORMATION



i 0000 00 : 00 00 00, 00 0 00 00 00.

CNC 00 00, 00 00 0, 0000 00 00, 00 00 00 0 00.

0 00 00 00 000 000 000000 000 00 00 00.

000 0000 000 0000 00 00 000 000000.

v 00 00 : GB, 00 00, 00 00, TUV CE, ISO 9001, ADWO-2000, TS, PED, WRC WRAS, KTW, API 6D, API609.

VI 00 0000 : 00 00, 0 00, 0000 00, 00 00, 0000 00, 0000 00, 00 / 00 / 00 00000, 00 00.



COMPANY EXHIBITION



COMPANY QUALIFICATION



Partners



Delivery



Payment



□□□□ □□:

Q : □□□ □□□ □□ □□ □□□□□?

A : □□□ □□, □□, □□, □□, □□ □□□.

Q : □□□□□□ □□ □ □ □□□□?

A : □□, □□, hrdraulic, □□□□□ □□.RKSfluid □□□□□□ □□ □□□ □□□□□.□□□ □□□ □□ □□ □□□□ □ □□□□.

Q : □□ □□□ □□□□□?

A : RKSfluid□□ □□□ □□□ □□ □ □□□ 4 □□ □□□□ □□□□□.

Q : □□ □□ □□

A : □□ □□□ 2 ~ 5 □□□□ □□□ □□□□□.□□□ □□□ □□ □□□ □□.

Q : **MOQ**

A : □□ □□□ □□ 1pc.

Q : □□ □□□ □□□□□?

A : □□ □ 100% □□ □□□, 2 □ □□.□□□□ □□□□ □□□□□□□.

□□□ TUV, API, WRA, CE, ISO □□□ □□□□□□.

□□□ DIN, ASME, BS EN, JIS, API, AWWA□ □□□□□□.

Q : □□□□ □□□ □□□□ □□□ □□ □ □ □□□□?

A : RKSfluid □□□ 20 □ □□□ 70 □ □□□ R & D □□□□□ □□ □□, □□ □□ □ □□ □□□□□□.