



DESIGN FEATURES

DURABLE

- No-pin connection, 1 pc blow-out proof stem
- DI/CI Nodularity over 95%

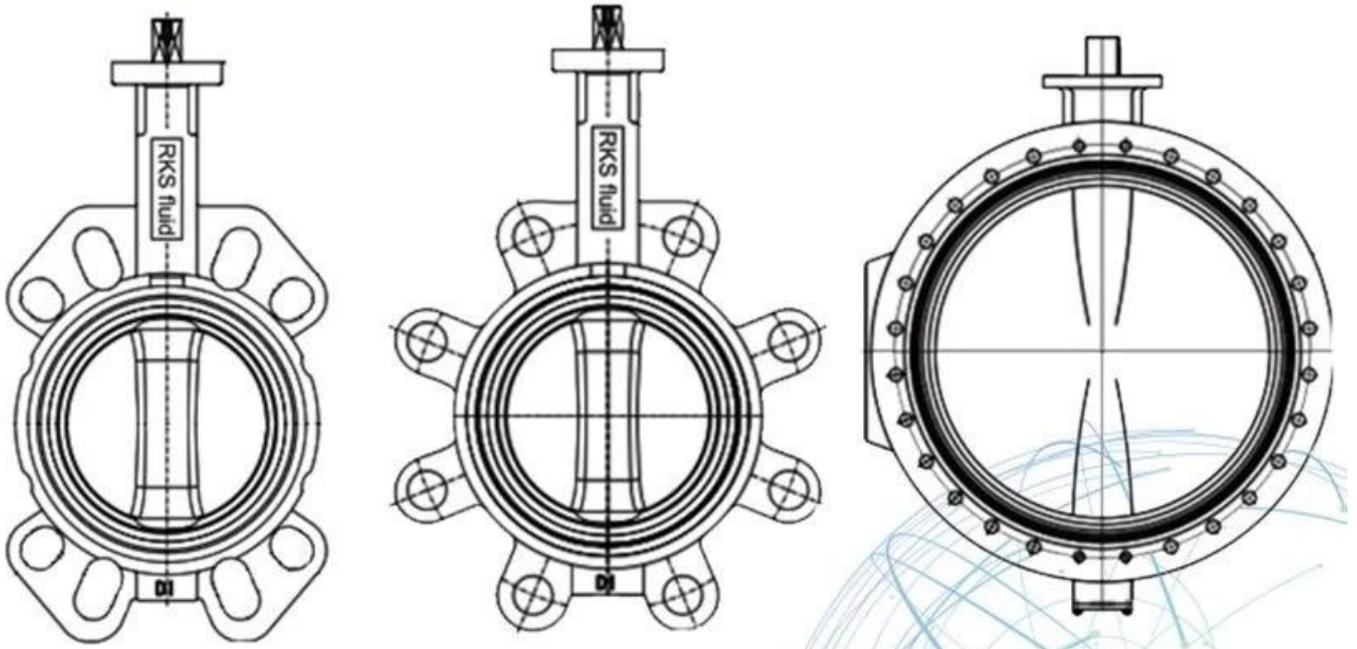
ANTI-CORROSION

- Material: Epoxy powder:  , Earth Best!
- Coating Thickness: 200-250µm
- Spraying temp: over 200°C. Doesn't fade, even wipe with diethyl ether

QUALITY STANDARD

- 100% quality test, follow DIN, ASTM, JIS, GB/T, ISO, BS EN, API
- ONLY ONE Manufacturer get CE certification up to DN1800
- 2 years warranty. 15000 times On-off test, 30000 times Destructive experiment





APPLICATION SCENARIO



Industrial water application



Power plant



Sea water desalination



Water treatment



Water supply and drainage



HAVC



Food and drug



Water transport



Our Factory



Company Advantages

01

21 years of professional experience

03

Independent research and development team
28 top senior professional researchers

05

100% high level ex-factory inspection

07

2 years quality assurance, repair and replacement

4 factories

02

2 professional testing centers

04

High quality imported materials

06



I 工厂 : 生产车间, 研发中心.

II 工厂 CNC 加工中心, 数控机床, 检测设备, 实验室.

III 工厂 污水处理, 工业废水处理.

IV 工厂 各种规格 工业阀门.

V 工厂 : GB, 行业标准, 行业标准, TUV CE, ISO 9001, ADWO-2000, TS, PED, WRC WRAS, KTW, API 6D, API609.

VI 工厂 : 各种规格 工业阀门, 球阀, 蝶阀, 闸阀, 截止阀, 止回阀, 减压阀, 安全阀 / 呼吸器 / 呼吸器, 工业.

Exhibition Photos



Our Certificates



□□□□ □□

Q : □□□ □□□□ □□ □□□ □□□□□?

A : □□□ □□, □□, □□, □□, Application System.

Q : □□□□□□ □□ □ □□□□?

A : □□□, □□□, □□□, □□□□□ □□. RKSfluid □□□□□□ □□ □□□ □□□□□. □□□ □□ □□□ □□□□□.

Q : □□□ □□ □□□ □□□□□?

A : RKSfluid□□ □□□ □□□ □□ □ □□□ 4 □□ □□□ □□□□□.

Q : □□ □□ □□

A : □□ □□□ 2 ~ 5 □ □□ □□□ □□□□□. □□□ □□□ □□ □□□ □ □□.

Q : MOQ

A : □□ □□□ □□ 1pc.

Q : □□ □□□ □□□□□?

□□ : □□ □□ 100 % □□ □□□, 2 □ □□. □□□ □□ □□□ □□□□□□□.

□□□ TUV, API, WRAS, CE, ISO □□□ □□□□□□.

□□□ DIN, ASME, BS EN, JIS, API, AWWA□ □□□□□□.

Q : □□□□ □□□ □□□□ □□□□□□□□□?

A : RKSfluid 20 70 R & D ,