

RKSfluid®



RKSfluid®

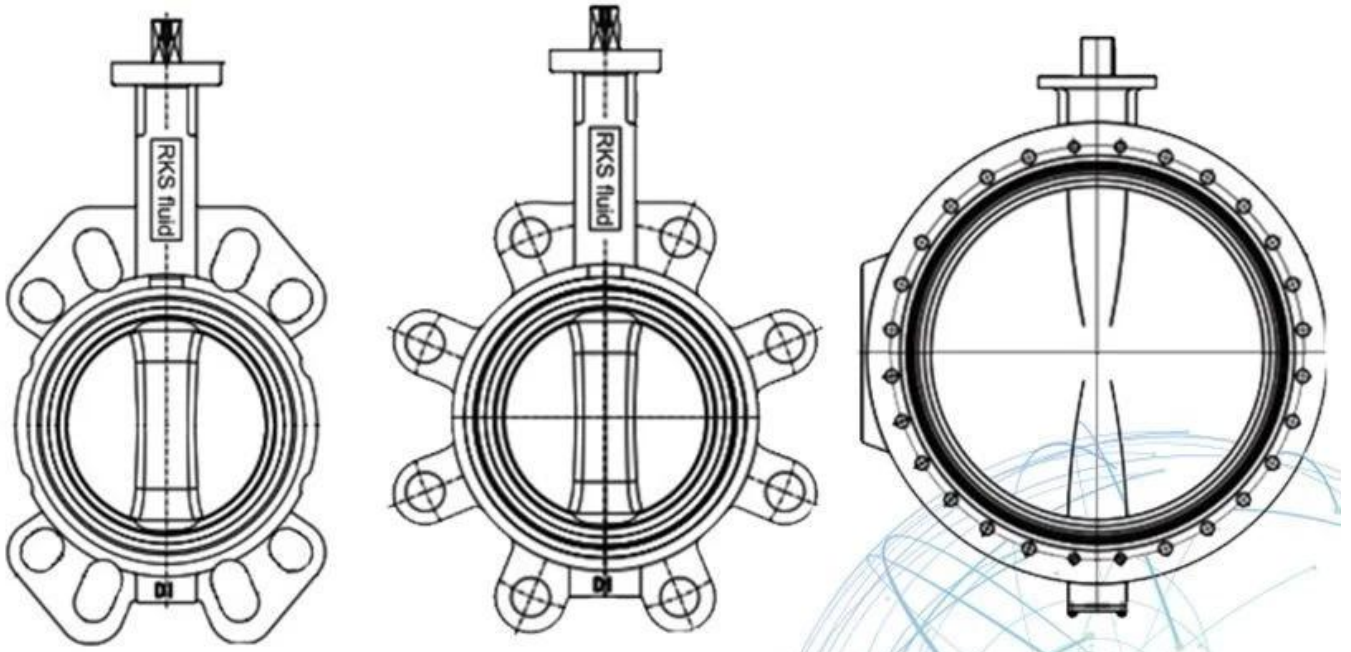


RKSfluid®



RKSfluid®





APPLICATION SCENARIO



Industrial water application



Power plant



Sea water desalination



Water treatment



Water supply and drainage



HAVC



Food and drug



Water transport



Our Factory



Exhibition Photos



Our Certificates



I ISO 9001 : 2015 Certified, ISO 14001 Certified.

II ISO CNC Certified, ISO 9001, ISO 14001, ISO 45001 Certified.

III ISO 9001 Certified, ISO 14001 Certified, ISO 45001 Certified.

IV 00 000 0000 00 00 000 0000.

V 00 00 : GB, 00 00, 00 00, TUV CE, ISO 9001, ADWO-2000, TS, PED, WRC WRAS, KTW, API 6D, API609.

VI 00 000 : 00 000 00, 0 00, 000 00, 00 00, 000 00, 000 00, 00 / 00 / 00 00000, 00 00.