

**RKSfluid®**



RKSfluid

**RKSfluid®**



**RKSfluid®**



**RKSfluid®**



**RKSfluid®**



RKSfluid

**RKSfluid®**




RKSfluid

## DESIGN FEATURES

### DURABLE

- No-pin connection, 1 pc blow-out proof stem
- DI/CI Nodularity over 95%

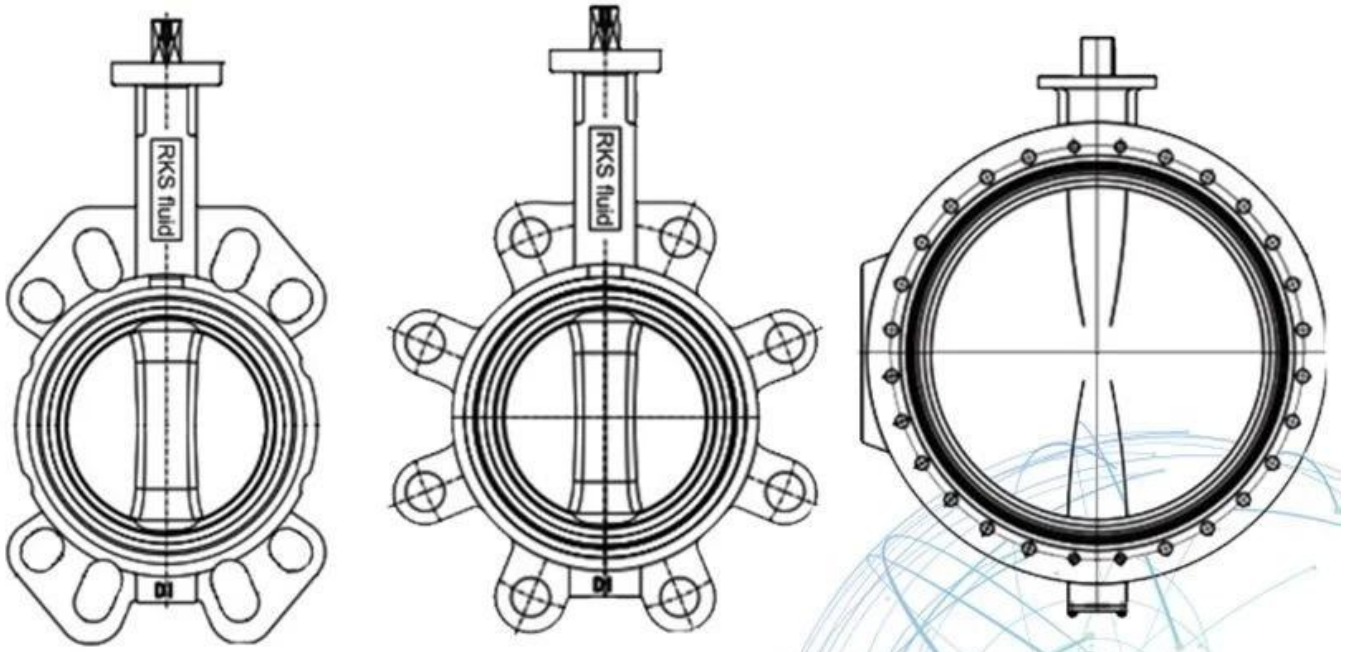
### ANTI-CORROSION

- Material: Epoxy powder:  , Earth Best!
- Coating Thickness: 200-250µm
- Spraying temp: over 200°C. Doesn't fade, even wipe with diethyl ether

### QUALITY STANDARD

- 100% quality test, follow DIN, ASTM, JIS, GB/T, ISO, BS EN, API
- ONLY ONE Manufacturer get CE certification up to DN1800
- 2 years warranty. 15000 times On-off test, 30000 times Destructive experiment





## APPLICATION SCENARIO



Industrial water application



Power plant



Sea water desalination



Water treatment



Water supply and drainage



HAVC



Food and drug



Water transport





# Our Factory





Resilient seat butterfly valve

PN10/PN16, ANSI 125LB/150LB,5K/10K

Size:DN25-DN2400

Body:DI CI

Disc: Stainless steel

Seat :EPDM, NBR, Viton

Connection: Wafer, Lug, Flange



Resilient seat butterfly valve

PN10/PN16, ANSI 125LB/150LB,5K/10K

Size:DN25-DN2400

Body:DI CI

Disc: DI+ Nylon

Seat :EPDM, NBR, Viton

Connection: Wafer, Lug, Flange



Resilient seat butterfly valve

PN10/PN16, ANSI 125LB/150LB,5K/10K

Size:DN25-DN2400

Body:DI CI

Disc: Stainless steel

Seat :EPDM, NBR, Viton

Connection: Wafer, Lug, Flange



Resilient seat butterfly valve

PN10/PN16, ANSI 125LB/150LB,5K/10K

Size:DN25-DN2400

Body:DI CI

Disc: Stainless steel

Seat :EPDM, NBR, Viton

Connection: Wafer, Lug, Flange



Double flange resilient seat butterfly valve

PN10/PN16, ANSI 125LB/150LB, 5K/10K

Size:DN50-DN1000

Body:DI CI

Disc: Stainless steel

Seat :EPDM, NBR, Viton

Connection: Flange



Short-neck butterfly valve for petroleum

ANSI 125LB/150LB

Top Flange Standard:ISO5211

Size:2"-12"

Body: DI CI

Disc :Stainless Steel

Seat : EPDM, NBR, Viton

Connection:Wafer, Lug



PTFE Butterfly Valve

BSEN 1092, DIN 2501, ANSI, JIS, AS2129

Size: DN50~DN600

Body: Ductile Iron

Disc: Ductile Iron+PTFE

Seat: PTFE

Connection: Wafer, Lug, Flange



PTFE Butterfly Valve

BSEN 1092, DIN 2501, ANSI, JIS, AS2129

Size: DN50~DN600

Body: Ductile Iron

Disc: Ductile Iron+PTFE

Seat: PTFE

Connection: Wafer, Lug, Flange



PTFE Butterfly Valve

BSEN 1092, DIN 2501, ANSI, JIS, AS2129

Size: DN50~DN600

Body: WCB, CF8, CF8M

Disc: CF8+PTFE, CF8M+PTFE

Seat: PTFE

Connection: Wafer, Lug



PTFE Butterfly Valve

BSEN 1092, DIN 2501, ANSI, JIS, AS2129

Size: DN50~DN600

Body: WCB, CF8, CF8M

Disc: CF8+PTFE, CF8M+PTFE

Seat: PTFE

Connection: Wafer, Lug



PTFE Butterfly Valve

BSEN 1092, DIN 2501, ANSI, JIS, AS2129

Size: DN50~DN600

Body: Ductile Iron

Disc: CF8, CF8M

Seat: PTFE

Connection: Wafer, Lug, Flange



PTFE Butterfly Valve

BSEN 1092, DIN 2501, ANSI, JIS, AS2129

Size: DN50~DN600

Body: WCB

Disc: CF8 +PTFE, CF8 +PFA

Seat: PTFE

Connection: Wafer, Lug, Flange

# Our Certificates



RKSfluid 1997 00 00000000. 0000 000000  
 00 00, 00 00 00 0 00 00 00. 00  
 CNC 0000 00, 00 00 0, 00000 00000  
 00 00, 00 00 0 00 00. 0000 0000 00 00000000.  
 00 00. 00 0000 0000 0000 0000000 0000 0000 00  
 0000 0, 00 00 00 0000 00 GB0000 00  
 00 00 00 00 00. 00000 00  
 00 00000 0 00 00 00 0 RKS 00 00  
 00, 00, 000000 0000 0 00. 00 0000 00000. 0000 00 00 00  
 00 : GB, ISO, 00 0 00 00, CE 0 ADWO-2000 00 TUV00 00,  
 ISO9001, TS, API. 0000 00 : 00, 00 0 00 00 0 00,  
 00 0000 00 0 0000 00. 00 00, 00 00 00. 00 0  
 00 : 00 00, 00, 0000, 00, 00 00, 00 00 0, 0000 0000,  
 00 00. 00000 00 00, 0000 00 00000 0000 00  
 "00 0 00, 0000 00 0 00000 00"0 0000000  
 00 00 00. 00 0000 0000 00 000000!  
 I 00 00 : 00 00 00, 00 0 00 00 00.

|| 00 CNC 0000 00, 00 00 0, 00 00, 00 00 00 0 00.

III 鋼 鋼 鋼 鋼 鋼 鋼 鋼 鋼 鋼 鋼 鋼 鋼.

IV 鋼 鋼 鋼 鋼 鋼 鋼 鋼 鋼.

V 鋼 鋼 : GB, 鋼 鋼, 鋼 鋼, TUV CE, ISO 9001, ADWO-2000, TS, PED, WRC WRAS, KTW, API 6D, API609.

VI 鋼 鋼 : 鋼 鋼 鋼, 鋼 鋼, 鋼 鋼, 鋼 鋼, 鋼 鋼, 鋼 鋼, 鋼 / 鋼 / 鋼 鋼 鋼, 鋼 鋼.