

DESIGN FEATURES

DURABLE

- No-pin connection, 1 pc blow-out proof stem
- DI/CI Nodularity over 95%

ANTI-CORROSION

- Material: Epoxy powder:  , Earth Best!
- Coating Thickness: 200-250µm
- Spraying temp: over 200°C. Doesn't fade, even wipe with diethyl ether

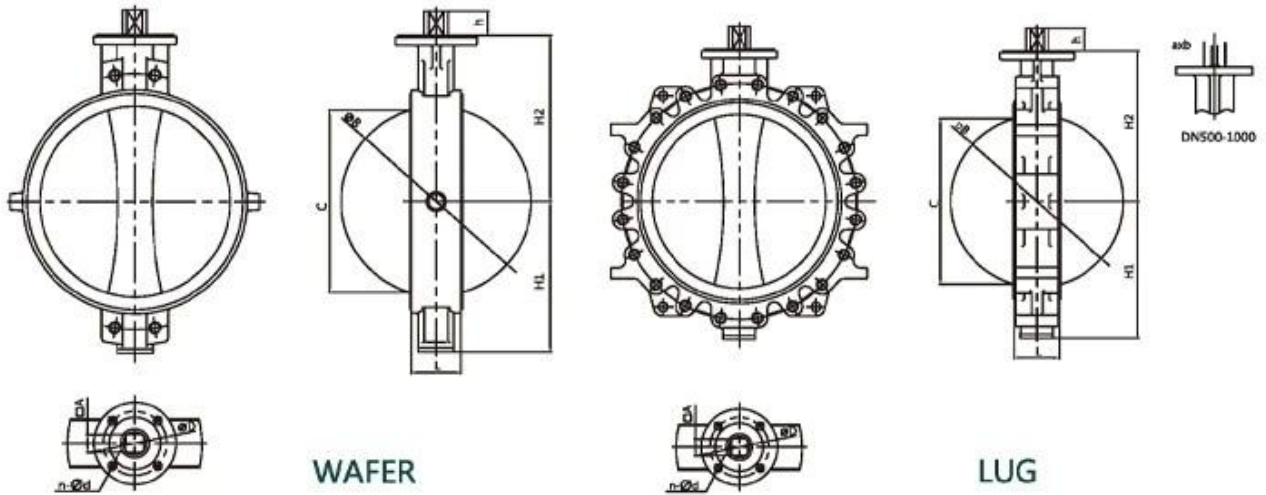
QUALITY STANDARD

- 100% quality test, follow DIN, ASTM, JIS, GB/T, ISO, BS EN, API
- ONLY ONE Manufacturer get CE certification up to DN1800
- 2 years warranty. 15000 times On-off test, 30000 times Destructive experiment



| | |
|-------|-------------------------------|
| □□ | DN32 - DN2400(NPS1 1/4-NPS96) |
| □□ □□ | PN6 - PN10 - PN16(□□□ 150) |
| □□ □□ | -40°C-120°C |

| | |
|-------|---------------------------|
| □□ | □□□ □□ □, □□□□□ □. |
| □□ □□ | NBR, EPDM, □□□□, □□□, □□□ |
| □□ | □□□, □□, U-□□, □□ □□□ |



WAFER

LUG

NPS14-NPS40 Wafer/Lug with alignment holes

| Size | L | H1 | H2 | h | A | ΦB | C | ΦG | a | b | ΦD | n-Φd | IS05211 |
|-------|------|-------|-------|------|------|--------|-------|-------|------|------|--------|---------|---------|
| NPS14 | 3.07 | 10.63 | 11.81 | 1.42 | 1.06 | Φ13.31 | 12.95 | - | - | - | Φ4.92 | 4-Φ0.55 | F12 |
| NPS16 | 4.02 | 11.81 | 13.58 | 1.69 | 1.26 | Φ15.35 | 14.80 | - | - | - | Φ5.50 | 4-Φ0.71 | F14 |
| NPS18 | 4.49 | 12.99 | 14.76 | 1.93 | 4.42 | Φ17.20 | 16.61 | - | - | - | Φ5.50 | 4-Φ0.71 | F14 |
| NPS20 | 5.00 | 15.16 | 16.73 | 2.56 | - | Φ19.09 | 18.43 | Φ2.36 | 0.71 | 2.52 | Φ6.50 | 4-Φ0.87 | F16 |
| NPS24 | 6.06 | 17.24 | 19.49 | 2.76 | - | Φ23.03 | 22.24 | Φ2.36 | 0.71 | 2.52 | Φ6.50 | 4-Φ0.87 | F16 |
| NPS28 | 6.50 | 20.39 | 22.44 | 3.15 | - | Φ26.77 | 25.98 | Φ2.76 | 0.79 | 2.93 | Φ10.00 | 8-Φ0.71 | F25 |
| NPS30 | 6.50 | 21.46 | 24.02 | 3.15 | - | Φ28.74 | 27.95 | Φ2.76 | 0.79 | 2.93 | Φ10.00 | 8-Φ0.71 | F25 |
| NPS32 | 7.48 | 22.32 | 25.20 | 3.15 | - | Φ30.43 | 29.49 | Φ2.76 | 0.79 | 2.93 | Φ10.00 | 8-Φ0.71 | F25 |
| NPS36 | 7.99 | 25.59 | 27.56 | 3.94 | - | Φ34.49 | 33.54 | Φ3.15 | 0.87 | 3.35 | Φ10.00 | 8-Φ0.71 | F25 |
| NPS40 | 8.50 | 28.15 | 29.53 | 3.94 | - | Φ38.43 | 37.48 | Φ3.15 | 0.87 | 3.35 | Φ11.73 | 8-Φ0.87 | F30 |

APPLICATION SCENARIO



Industrial water application



Power plant



Sea water desalination



Water treatment



Water supply and drainage



HAVC



Food and drug



Water transport



COMPANY INFORMATION



I 廠址: 廣東省, 江門新會區.

II 主要 CNC 機床, 鑽孔機, 銑床, 磨床, 鉗床, 銑床.

III 承接 各種 機械, 設備 製造 及 安裝.

VI 承接 各種 機械 設備 安裝 及 維修.

V 廠址: GB, 廣東省, 江門新會區, TUV CE, ISO 9001, ADWO-2000, TS, PED, WRC WRAS, KTW, API 6D, API609.

VI 廠址: 廣東省, 江門新會區, 承接 各種 機械, 設備 製造 及 安裝, 承接 各種 機械 設備 安裝 及 維修, 承接 各種 機械 設備 安裝 及 維修.



01

21 years of professional experience

03

Independent research and development team
28 top senior professional researchers

05

100% high level ex-factory inspection

07

2 years quality assurance, repair and replacement

4 factories

02

2 professional testing centers

04

High quality imported materials

06

COMPANY QUALIFICATION



COMPANY EXHIBITION



Partners



Delivery



Payment



□□□□ □□:

Q: □□□ □□□ □□ □□ □□□□□?
 □: □□" □□, □□, □□, □□, □□ □□□.

Q: □□ □□□□ □□ □□□□□□ □□ □ □□□□?
 □: □□□, □□□, □□□, □□□□□ □□. RKSfluid □□□□□□ □□ □□□ □□□□□. □□□ □□ □□□□ □□□□□.

Q: □□□ □□ □□□ □□□□□?
 □: RKSfluid □□□ □□□ □□ □□□ □□□ □ □□ 4□□ □□□ □□□□□.

Q: 鋼 鋼管

A: 鋼 鋼管 鋼管 鋼 2~5 鋼管 鋼管 鋼管。 鋼管 鋼管 鋼 鋼管 鋼管 鋼管。

鋼: MOQ

A: 鋼 鋼管 鋼 1pc.

Q: 鋼 鋼管 鋼管?

A: 鋼 鋼 100% 鋼 鋼管, 鋼 2。 鋼管 鋼 鋼管 鋼管。

鋼管 TUV, API, WRAS, CE, ISO 鋼管 鋼管。

鋼管 DIN, ASME, BS EN, JIS, API, AWWA 鋼管。

Q: 鋼管 鋼管 鋼管 鋼管 鋼 鋼管?

A: RKSfluid 20 鋼管 鋼管 鋼管 鋼管 70 鋼管 R&D 鋼管 鋼管 鋼管 鋼管 鋼管。