

DESIGN FEATURES

DURABLE

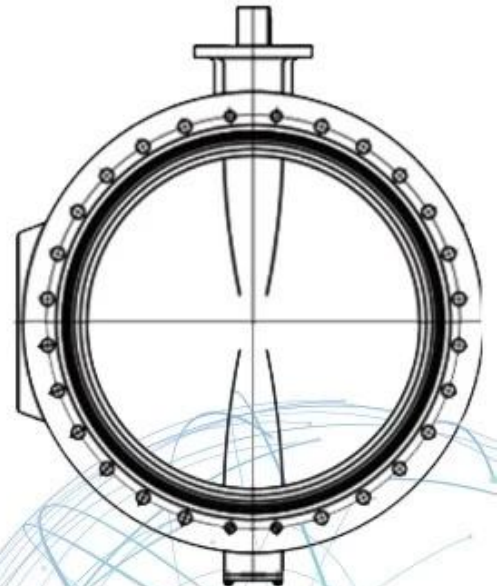
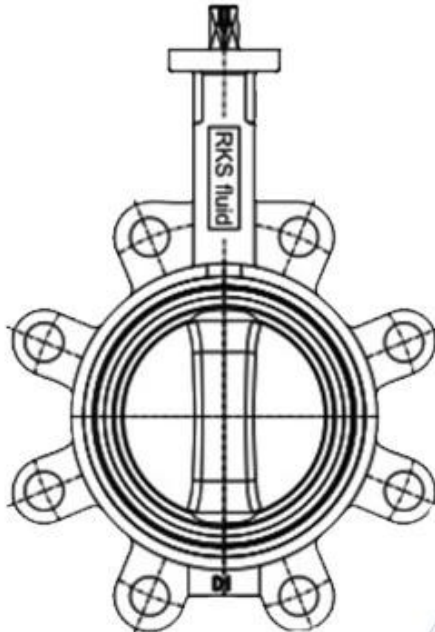
- No-pin connection, 1 pc blow-out proof stem
- DI/CI Nodularity over 95%

ANTI-CORROSION

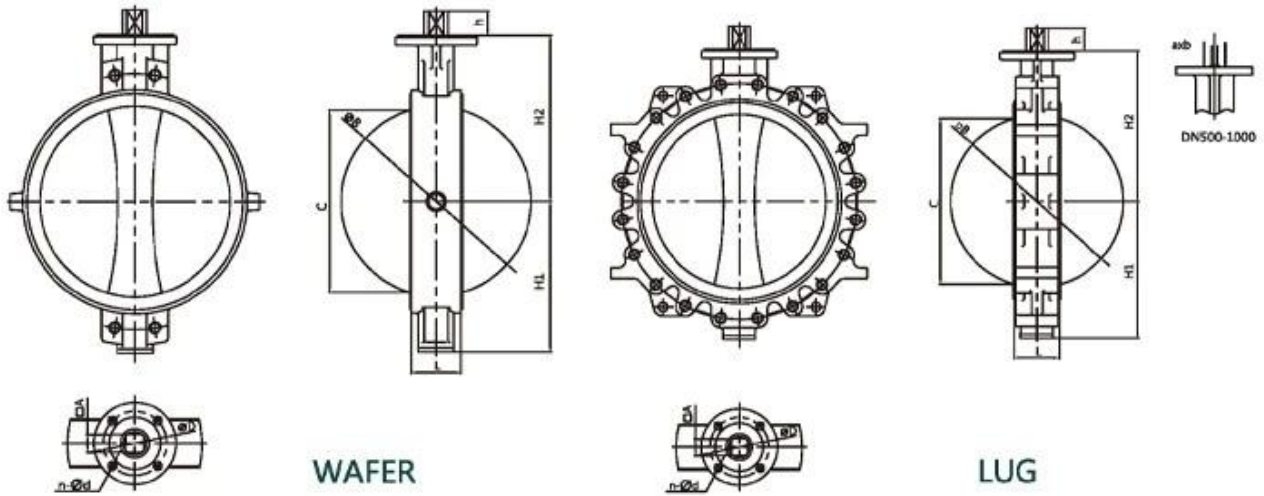
- Material: Epoxy powder:  , Earth Best!
- Coating Thickness: 200-250µm
- Spraying temp: over 200°C. Doesn't fade, even wipe with diethyl ether

QUALITY STANDARD

- 100% quality test, follow DIN, ASTM, JIS, GB/T, ISO, BS EN, API
- ONLY ONE Manufacturer get CE certification up to DN1800
- 2 years warranty. 15000 times On-off test, 30000 times Destructive experiment



□□	DN32 - DN2400(NPS1 1/4-NPS96)
□□ □□	PN6 - PN10 - PN16(□□□ 150)
□□ □□	-40°C-120°C
□□	□□□ □□ □, □□□□□ □.
□□ □□	NBR, EPDM, □□□□, □□□, □□□



WAFER

LUG

NPS14-NPS40 Wafer/Lug with alignment holes

Size	L	H1	H2	h	A	ΦB	C	ΦG	a	b	ΦD	n-Φd	ISO5211
NPS14	3.07	10.63	11.81	1.42	1.06	Φ13.31	12.95	-	-	-	Φ4.92	4-Φ0.55	F12
NPS16	4.02	11.81	13.58	1.69	1.26	Φ15.35	14.80	-	-	-	Φ5.50	4-Φ0.71	F14
NPS18	4.49	12.99	14.76	1.93	4.42	Φ17.20	16.61	-	-	-	Φ5.50	4-Φ0.71	F14
NPS20	5.00	15.16	16.73	2.56	-	Φ19.09	18.43	Φ2.36	0.71	2.52	Φ6.50	4-Φ0.87	F16
NPS24	6.06	17.24	19.49	2.76	-	Φ23.03	22.24	Φ2.36	0.71	2.52	Φ6.50	4-Φ0.87	F16
NPS28	6.50	20.39	22.44	3.15	-	Φ26.77	25.98	Φ2.76	0.79	2.93	Φ10.00	8-Φ0.71	F25
NPS30	6.50	21.46	24.02	3.15	-	Φ28.74	27.95	Φ2.76	0.79	2.93	Φ10.00	8-Φ0.71	F25
NPS32	7.48	22.32	25.20	3.15	-	Φ30.43	29.49	Φ2.76	0.79	2.93	Φ10.00	8-Φ0.71	F25
NPS36	7.99	25.59	27.56	3.94	-	Φ34.49	33.54	Φ3.15	0.87	3.35	Φ10.00	8-Φ0.71	F25
NPS40	8.50	28.15	29.53	3.94	-	Φ38.43	37.48	Φ3.15	0.87	3.35	Φ11.73	8-Φ0.87	F30

APPLICATION SCENARIO



Industrial water application



Power plant



Sea water desalination



Water treatment



Water supply and drainage



HAVC



Food and drug



Water transport



COMPANY INFORMATION



I 0000: 0000 00, 00 0 0000 00.

II 00 CNC 000 00, 00 0000 0, 0000 00 00, 00 00 00 0 00.

III 000 00 00 00, 00 00 00 00 0000 000000.

VI 00 0000 0000 00000000 00000000.

V 00 00: GB, 00 00, 00 00, TUV CE, ISO 9001, ADWO-2000, TS, PED, WRC WRAS, KTW, API 6D, API609.

VI 00 00: 00-0-00, 0 00, 000 00, 00 00, 000 00, 000 00, 00/00/00 000000, 00 00.



01

21 years of professional experience

03

Independent research and development team
28 top senior professional researchers

05

100% high level ex-factory inspection

07

2 years quality assurance, repair and replacement

4 factories

02

2 professional testing centers

04

High quality imported materials

06

COMPANY QUALIFICATION



COMPANY EXHIBITION



Partners



Delivery



Payment



□□□□ □□:

Q: □□□ □□□ □□ □□ □□□□□?
 □: □□" □□, □□, □□, □□, □□ □□□.

Q: □□ □□□□ □□ □□□□□□ □□ □ □□□□?
 □: □□□, □□□, □□□, □□□□□ □□. RKSfluid □□□□□□ □□ □□□ □□□□□. □□□ □□ □□□□ □□□□□.

Q: □□□ □□ □□□ □□□□□?
 □: RKSfluid □□□ □□□ □□ □□□ □□□ □ □□ 4□□ □□□ □□□□□.

Q: 鋼 鋼管

A: 鋼 鋼管 鋼管 鋼 2~5 鋼管 鋼管 鋼管。 鋼管 鋼管 鋼 鋼管 鋼管 鋼管。

鋼: MOQ

A: 鋼 鋼管 鋼 1pc.

Q: 鋼 鋼管 鋼管?

A: 鋼 鋼 100% 鋼 鋼管, 鋼 2。 鋼管 鋼 鋼管 鋼管。

鋼管 TUV, API, WRAS, CE, ISO 鋼管 鋼管。

鋼管 DIN, ASME, BS EN, JIS, API, AWWA 鋼管。

Q: 鋼管 鋼管 鋼管 鋼管 鋼 鋼管?

A: RKSfluid 20 鋼管 鋼管 鋼管 鋼管 70 鋼管 R&D 鋼管 鋼管 鋼管 鋼管 鋼管 鋼管。