

## DESIGN FEATURES

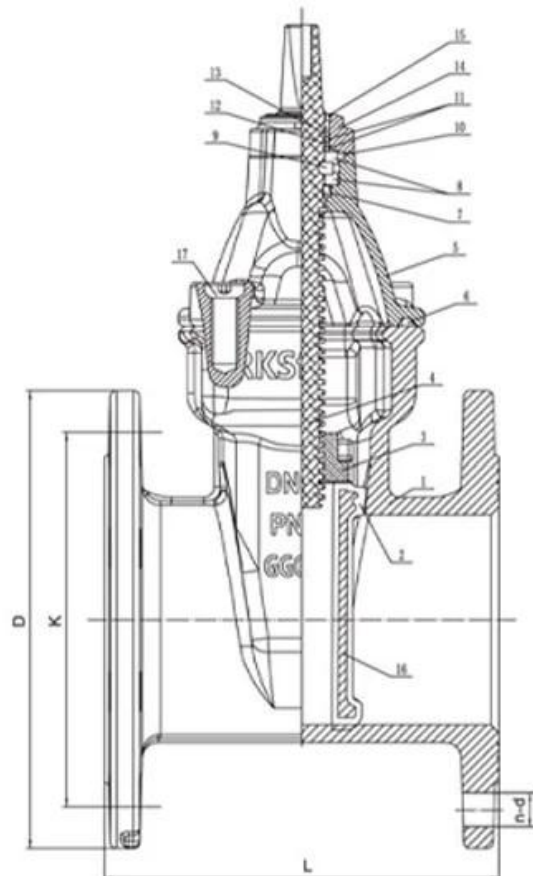


### Features



- Use AkzoNobel material.
- Super Anti-corrosion
- Epoxy powder coating 200-250um,
- Baking varnish over 200°C,

| NO. |                |                  |
|-----|----------------|------------------|
| 1   | Body           | GGG50            |
| 2   | Dise           | GGG40+EPDM       |
| 3   | Wedge nut      | C48600           |
| 4   | Stem           | SS431            |
| 5   | Bonnet         | GT450-10         |
| 6   | Gasket         | EPDM             |
| 7   | Y-ring         | EPDM85-90        |
| 8   | Fix ring       | CuZn21Si3/C69300 |
| 9   | Thrust bearing | C69300           |
| 10  | Seal ring      | EPDM70           |
| 11  | O ring         | NBR              |
| 12  | Retainer ring  | POM              |
| 13  | Bushing ring   | POM              |
| 14  | Gland          | SS431            |
| 15  | Dustproof ring | EPDM85           |
| 16  | Dise core      | GGG40            |
| 17  | Bolt           | SS316            |





Free wedge nut, **reduces the stem bending forces** and at the same time enables it to be easily replaced.



The more compact new cap, **reduces the water retention areas** in order to **reduce the risk of bacterial growth**.



One piece stainless steel stem in for **better resistance to axial load** and to **with stand higher operating torques**.



**Three locking tab** for bayonet system prevents self-dismantling.



Dust guard integrating three O-ring shape, **prohibiting the introduction of foreign bodies** at the stem.



**Male guiding system with composite sliding skate** reduces the wear of the wedge against the body, allowing a smooth functionality and a longer life time of the valve.



**Triple seal at the operating stem** to ensure tightness with the test of time (2500 cycles).



**New male composite sliding skate technology** ensuring a low operating torque even under high differential pressure and preventing damage or corrosion generated by the friction.

## RELATED PRODUCTS

---



# APPLICATION SCENARIO



Industrial water application



Power plant



Sea water desalination



Water treatment



Water supply and drainage



HAVC



Food and drug



Water transport



# COMPANY FACTORY



## COMPANY INFORMATION



i 0000 00 : 00 00 00, 00 0 00 00 00.

CNC 00 00, 00 00 0, 0000 00 00, 00 00 00 0 00.

■ 00 00 00 000 000 0000000 000 00 00 00.

000 0000 000 0000 00 00 000 0000000.

v 00 00 : GB, 00 00, 00 00, TUV CE, ISO 9001, ADWO-2000, TS, PED, WRC WRA, KTW, API 6D, API609.

VI 00 0000 : 00 00, 0 00, 000 00, 00 00, 000 00, 000 00, 00 / 00 / 00 00000, 00 00.

01

21 years of professional experience

03

Independent research and development team  
28 top senior professional researchers

05

100% high level ex-factory inspection

07

2 years quality assurance, repair and replacement

4 factories

02

2 professional testing centers

04

High quality imported materials

06

# COMPANY QUALIFICATION





## COMPANY EXHIBITION



□□□□ □□

**Q :** □□□ □□□ □□ □□ □□□ □□□□□?

A : □□□ □□, □□, □□, □□, □□ □□□.

**Q :** □□□□□□ □□ □ □ □□□□?

A : □□, □□, hydraulic, □□□□□ □□. RKSfluid □□□□□□ □□ □□□ □□□□□. □□□ □□□ □□ □□ □□□□ □ □□□□.

**Q :** □□ □□□ □□□□□?

A : RKSfluid□□ □□□ □□□ □□ □ □□□ 4 □□ □□□ □□□□.

**Q :** □□ □□ □□

A : □□ □□□ 2 ~ 5 □□□□ □□□ □□□□. □□□ □□□ □□ □□□ □□.

**Q :** **MOQ**

A : □□ □□□ □□ 1pc.

**Q :** □□ □□□ □□□□□?

A : □□ □ 100% □□ □□□, 2 □ □□. □□□□ □□□□ □□□□□□.

TUV, API, WRA, CE, ISO □□□ □□□□□□.

□□□ DIN, ASME, BS EN, JIS, API, AWWA□ □□□□□□.

**Q :** □□□□ □□□ □□□□ □□□ □□ □ □ □□□□?

A : RKSfluid □□□ 20 □ □□□ 70 □ □□□ R & D □□□□□ □□ □□, □□ □□ □ □□ □□□ □□□□□.