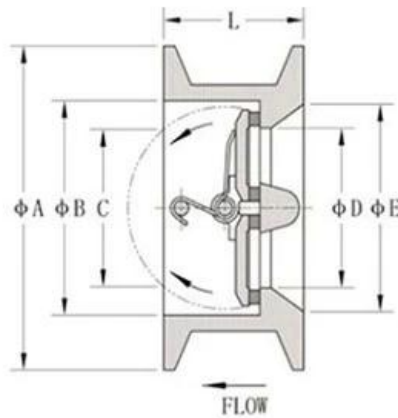


000-00-0000-00-00, 000 000 0000 00 000 0000 2 00 0000000.000 0 0000 0000 00000 00000000
0 0000 000 0000 00 0000 000 0000 00 0000 000.

- I- 0000 00, 00 00, 00 0000 00.
- II- 00 000000 0000 0000 00000 00000 00 00 0000 00000 00 0 00000.
- III- 00 00 0000 00 00 0000 00 0000 00 0 00000.
- IV- 00 00 00 0000 00 0000 00000.
- V- 0000 00 0 00 0000 00000 00000 0000 0 00000.

- 00 00 00000
- 0 00
- HVAC
- 00 0000
- 00
- 0000 00 00
- 0000
- 0000
- 00 00
- 00
- 00 00
- 00 00 00



DIMENSIONS

DN	A	B	C	D	E	L	Weight
40	92	65	49	48	59	43	0,8
50	107	65	49	48	59	43	1,3
65	127	80	63	60	78	46	1,6
80	142	94	69	70	91	64	2,8
100	162	117	97	88	110	64	4,0
125	192	145	121	115	142	70	5,5
150	218	170	145	134	170	76	8,0
200	273	224	197	182	222	89	13,5
250	328	265	234	223	264	114	24,4
300	378	310	284	260	310	114	33,0
350	438	360	333	300	360	127	46,3
400	489	410	379	355	414	140	62,0
450	539	450	415	382	450	152	100,0
500	594	505	472	435	505	152	107,0
600	695	624	579	536	605	178	158,0

COMPANY FACTORY



COMPANY INFORMATION



i 0000 00 : 00 00 00, 00 0 00 00 00.

CNC 00 00, 00 00 0, 0000 00 00, 00 00 00 0 00.

0 00 00 00 000 0000 0000 00 00 00 00.

000 0000 000 0000 00 00 000 0000000.

v 00 00 : GB, 00 00, 00 00, TUV CE, ISO 9001, ADWO-2000, TS, PED, WRC WRAS, KTW, API 6D, API609.

VI 00 0000 : 00 00, 0 00, 0000 00, 00 00, 0000 00, 0000 00, 00 / 00 / 00 00000, 00 00.

01

21 years of professional experience

03

Independent research and development team
28 top senior professional researchers

05

100% high level ex-factory inspection

07

2 years quality assurance, repair and replacement

4 factories

02

2 professional testing centers

04

High quality imported materials

06

COMPANY QUALIFICATION



COMPANY EXHIBITION



Partners



Delivery



Payment



□□□□ □□:

Q : □□ □□ □□ □□ □□□□?

A : □□ □□, □□, □□, □□, □□ □□.

Q : □□□□□ □□ □ □□□□?

A : □□, □□, hrdraulic, □□□□ □□.RKSfluid □□□□□ □□ □□□ □□□□.□□□ □□□ □□ □□□□ □ □□□□.

Q : □□ □□ □□□□?

A : RKSfluid 100% 鋼製 4 寸 鋼製 鋼製。

Q : 鋼製 鋼製

A : 鋼製 鋼製 2 ~ 5 寸 鋼製 鋼製。鋼製 鋼製 鋼製 鋼製。

Q : MOQ

A : 鋼製 鋼製 鋼製 1pc.

Q : 鋼製 鋼製 鋼製?

A : 鋼製 鋼製 100% 鋼製 鋼製, 2 寸 鋼製。鋼製 鋼製 鋼製。

鋼製 TUV, API, WRA, CE, ISO 鋼製 鋼製。

鋼製 DIN, ASME, BS EN, JIS, API, AWWA 鋼製。

Q : 鋼製 鋼製 鋼製 鋼製 鋼製 鋼製?

A : RKSfluid 鋼製 20 寸 鋼製 70 寸 鋼製 R & D 鋼製 鋼製, 鋼製 鋼製 鋼製 鋼製。