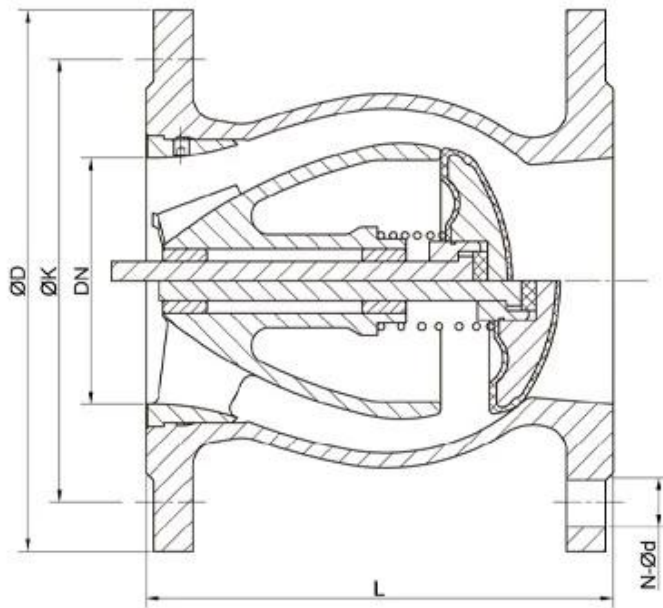
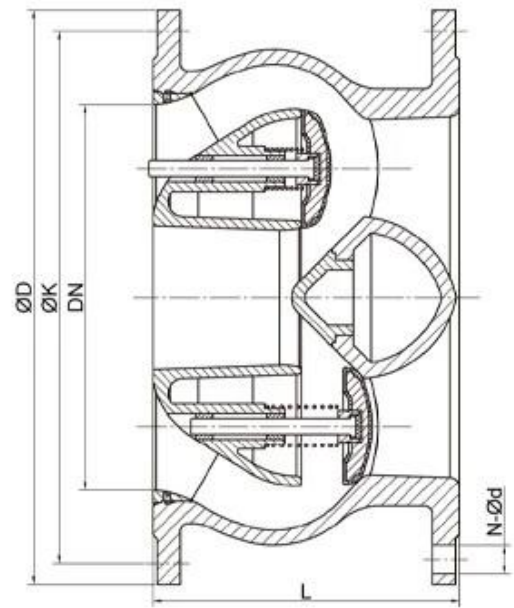




- Streamlined, minimum noise
- Backflow velocity only 0.2s, Head loss 0.1bar with 2m/s
- EPDM/NBR Rubber fully coated disc
- Anti-erosion design, Self-adjusting ball
- Self-cleaning stem, Long time smooth operation



NPS2-NPS14 (DN50-DN350)



NPS16-NPS24 (DN400-DN600)

Name	Material
Body	DIN EN 1563-GJS-500-7
Disc	DIN EN 1563-GJS-500-7+EPDM
Spring	AISI 304
O-ring	NBR
Stem	AISI 304
Washer	EPDM
Nut	AISI 304
Bushes	ASTM B150-B150M C61900
Flow Guide	DIN EN1563-GJS-500-7
Screw	A2

Specification

Size	NPS2-NPS24(DN50-DN600)
Pressure	PN10 PN16 PN25
Medium	Fresh water
Temperature	0°C~70°C

Engineering Projects



Partners



Company Advantages

01

21 years of professional experience

03

Independent research and development team
28 top senior professional researchers

05

100% high level ex-factory inspection

07

2 years quality assurance, repair and replacement

4 factories

02

2 professional testing centers

04

High quality imported materials

06

COMPANY INFORMATION



i 0000 00 : 00 00 00, 00 0 00 00 00.

CNC 00 00, 00 00 0, 0000 00 00, 00 00 00 0 00.

■ 00 00 00 000 0000 000000 0000 00 00 00.

000 0000 000 0000 00 00 000 000000.

v 00 00 : GB, 00 00, 00 00, TUV CE, ISO 9001, ADWO-2000, TS, PED, WRC WRA, KTW, API 6D, API609.

VI 00 0000 : 00 00, 0 00, 000 00, 00 00, 000 00, 000 00, 00 / 00 / 00 00000, 00 00.

Exhibition Photos



Our Certificates



□□□□ □□

Q : □□□ □□□ □□ □□ □□□□□□?

A : □□□ □□, □□, □□, □□, □□ □□□.

Q : 100% hydraulic, 2000 psi, 4 port, 1/2" NPT, 1/2" NPT, 1/2" NPT, 1/2" NPT?

A : Yes, 100% hydraulic, 2000 psi, 4 port, 1/2" NPT, 1/2" NPT, 1/2" NPT, 1/2" NPT. RKSfluid is a professional hydraulic cylinder manufacturer. We can provide you with the best quality hydraulic cylinder.

Q : What is the material?

A : RKSfluid hydraulic cylinder is made of 4130 steel or 4140 steel.

Q : What is the size?

A : We can provide 2 ~ 5 inch diameter hydraulic cylinder. We can provide 1 ~ 10 inch stroke.

Q : MOQ

A : We can provide 1pc.

Q : What is the lead time?

A : We can provide 100% hydraulic cylinder, 2 ~ 4 weeks. We can provide the best quality hydraulic cylinder.

TUV, API, WRA, CE, ISO 9001, ISO 14001.

Other standards: DIN, ASME, BS EN, JIS, API, AWWA, etc.

Q : What is the price?

A : RKSfluid hydraulic cylinder price is 20 ~ 70 dollars. R & D cost is included, we can provide the best price.