

特点:

阀门密封面采用 PTFE 材料，具有优异的耐化学腐蚀性能，适用于各种强腐蚀性介质。密封面厚度为 3 ~ 4mm，使用寿命长。PTFE 材料具有自润滑特性，减少了启闭力矩，延长了使用寿命。阀门采用 WCB/CF8M 材质，强度高，耐压性能好。

优点:

1. 密封性能好，使用寿命长
2. 结构紧凑，体积小，重量轻，安装方便
3. PTFE 密封面，耐腐蚀性强
4. 启闭力矩小，操作省力
5. 维护简单，使用寿命长

### DESIGN FEATURES



**DURABLE :**

- 1 piece non-welded PFA molded DSS Disc stem
- Precision casting WCB/CF8M Bodies

**TRIPLE SEAL:**

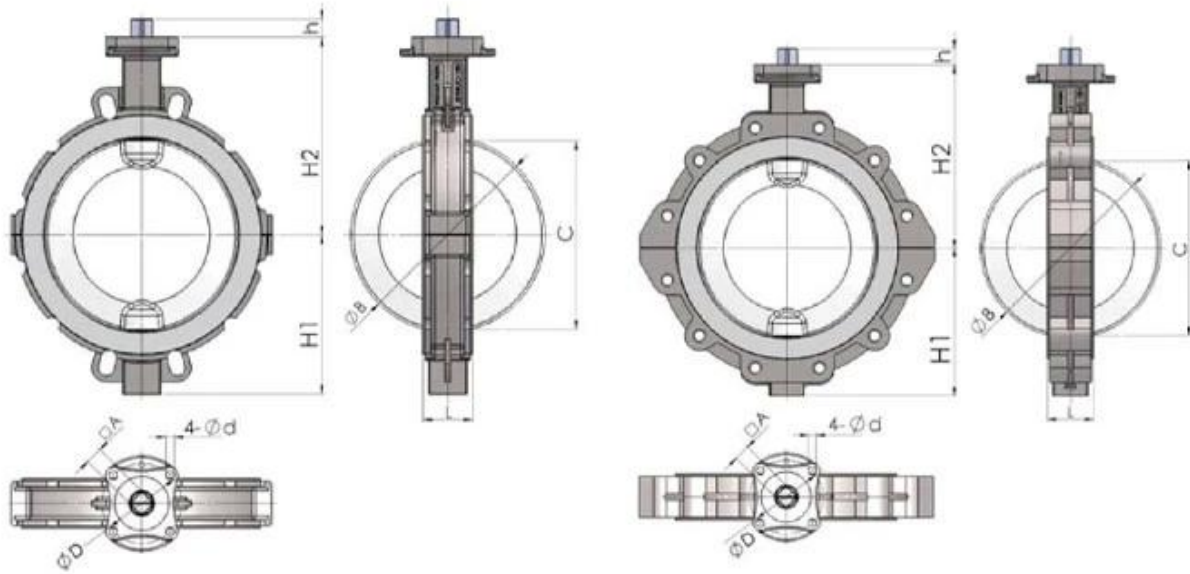
- Triple Seal: Spring loaded Mechanical seal, Radial Lip Seal, FPM
- China ONLY ONE Manufacturer 400Mpa Iso-static pressing PTFE seat, consistent density

**ANTI-CORROSION:**

- Material: Epoxy powder
- Coating Thickness: 200-250µm
- Spraying temp: over 200°C. Doesn't fade, even wipe with diethyl ether

**QUALITY STANDARD**

- 100% quality test, follow DIN, ASTM, JIS, GB/T, ISO, BS EN, API
- ONLY ONE Manufacturer get CE certification up to DN1800
- 2 years warranty. 15000 times On off test, 30000 times Destructive experiment



Wafer

Lug

**IMPERIAL DIMENSIONS:Inches**

Size	L	H1	H2	h	A	B	C	D	d	ISO5211
NPS2	1.69	2.20	5.31	0.47	0.43	2.01	1.08	1.97	0.28	F05
NPS2 1/2	1.81	3.35	5.91	0.47	0.43	2.72	1.99	1.97	0.28	F05
NPS3	1.81	3.74	6.30	0.63	0.55	3.27	2.70	2.76	0.35	F07
NPS4	2.05	4.13	7.09	0.63	0.55	4.06	3.50	2.76	0.35	F07
NPS5	2.20	4.92	7.68	0.63	0.55	5.00	4.49	2.76	0.35	F07
NPS6	2.20	5.71	10.04	0.63	0.55	5.98	5.57	2.76	0.35	F07
NPS8	2.36	6.69	9.45	0.83	0.75	7.99	7.64	4.02	0.47	F10
NPS10	2.68	8.07	11.81	0.94	0.87	10.00	9.65	4.92	0.51	F12
NPS12	3.07	9.84	12.20	1.14	1.06	12.01	11.61	4.92	0.51	F12

# APPLICATION SCENARIO



Industrial water application



Power plant



Sea water desalination



Water treatment



Water supply and drainage



HAVC



Food and drug



Water transport





## COMPANY INFORMATION



i 0000 00 : 00 00 00, 00 0 00 00 00.

CNC 00 00, 00 00 0, 0000 00 00, 00 00 00 0 00.

0 00 00 00 000 000 0000000 0000 00 00 00.

000 0000 000 0000 00 00 000 0000000.

v 00 00 : GB, 00 00, 00 00, TUV CE, ISO 9001, ADWO-2000, TS, PED, WRC WRAS, KTW, API 6D, API609.

VI 00 0000 : 00 00, 0 00, 0000 00, 00 00, 0000 00, 0000 00, 00 / 00 / 00 000000, 00 00.

01

21 years of professional experience

03

Independent research and development team  
28 top senior professional researchers

05

100% high level ex-factory inspection

07

2 years quality assurance, repair and replacement

4 factories

02

2 professional testing centers

04

High quality imported materials

06

## COMPANY QUALIFICATION



## COMPANY EXHIBITION



## Partners



### Delivery



### Payment



□□□□ □□

Q : □□ □□ □□ □□ □□ □□□□?  
 A : □□ □□, □□, □□, □□, □□ □□.

Q : □□□□□ □□ □ □□□□?  
 A : □□, □□, hrdraulic, □□□□ □□.RKSfluid □□□□□ □□ □□ □□□□.□□□ □□ □□ □□□ □ □□□□.

Q : □□ □□ □□□□?



A : RKSfluid 100% 鋼製 4 寸 口径 鋼製.

Q : 鋼製 鋼製

A : 鋼製 口径 2 ~ 5 寸 口径 鋼製. 鋼製 鋼製 鋼製 鋼製.

Q : **MOQ**

A : 鋼製 鋼製 鋼製 1pc.

Q : 鋼製 鋼製 鋼製?

A : 鋼製 鋼製 100% 鋼製 鋼製, 2 寸 口径. 鋼製 鋼製 鋼製 鋼製.

鋼製 TUV, API, WRA, CE, ISO 鋼製 鋼製.

鋼製 DIN, ASME, BS EN, JIS, API, AWWA 鋼製 鋼製.

Q : 鋼製 鋼製 鋼製 鋼製 鋼製 鋼製?

A : RKSfluid 鋼製 20 寸 口径 70 寸 口径 R & D 鋼製 鋼製 鋼製, 鋼製 鋼製 鋼製 鋼製 鋼製.