

00:

1. 0000 0000 00 00 000 0000 00 0 000 000 00000.

2. 00 00

00 000 00 000 00 000 000 00000. 000000 0000 0000 0000 00 0000 30 00000 0000 0000 0000 0000 0 75%0 00000.

3. 000

000000 0000 0/00 0000 0 000000 0000 0 00000. 0000 0000 00 000000 0000000. 0000000 0000 00 0000 00 0000 00000 00 00 000000 00 0000 0 00000.

4. 00

000000 0000 0000 0000 0000 00 0000 0000 00000. 00 00 1000 0000000 0000 0000 0000 1000 0000 0000 1/90 1/6000. 0000 0000 00 0000 0000 0000 0000 0000 0000000.

5. 00 000

00 00 00 0000 00 000000 0000 00 00 0000 00 0000 0000 00 00 0000 00000.

6. 000 000

000000 0000 900 00 0 00 0000 000000.

7. 0000


00000 0000 0000000 0000 00 00 0000 0000 00000 0000 0000 0000 0000 00 00 00000 00000.

DESIGN FEATURES

DURABLE

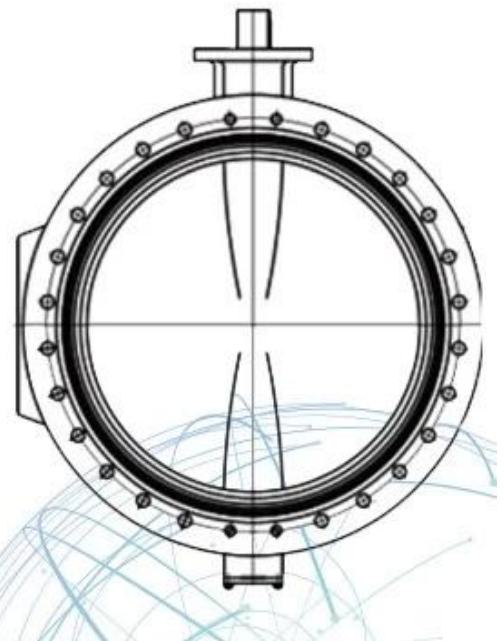
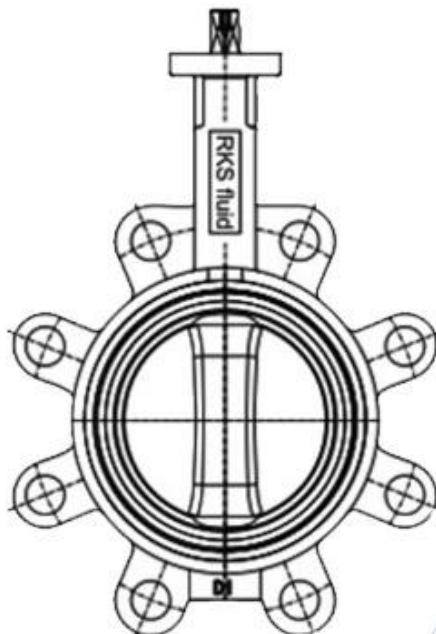
- No-pin connection, 1 pc blow-out proof stem
- DI/CI Nodularity over 95%

ANTI-CORROSION

- Material: Epoxy powder:  , Earth Best!
- Coating Thickness: 200-250µm
- Spraying temp: over 200°C. Doesn't fade, even wipe with diethyl ether

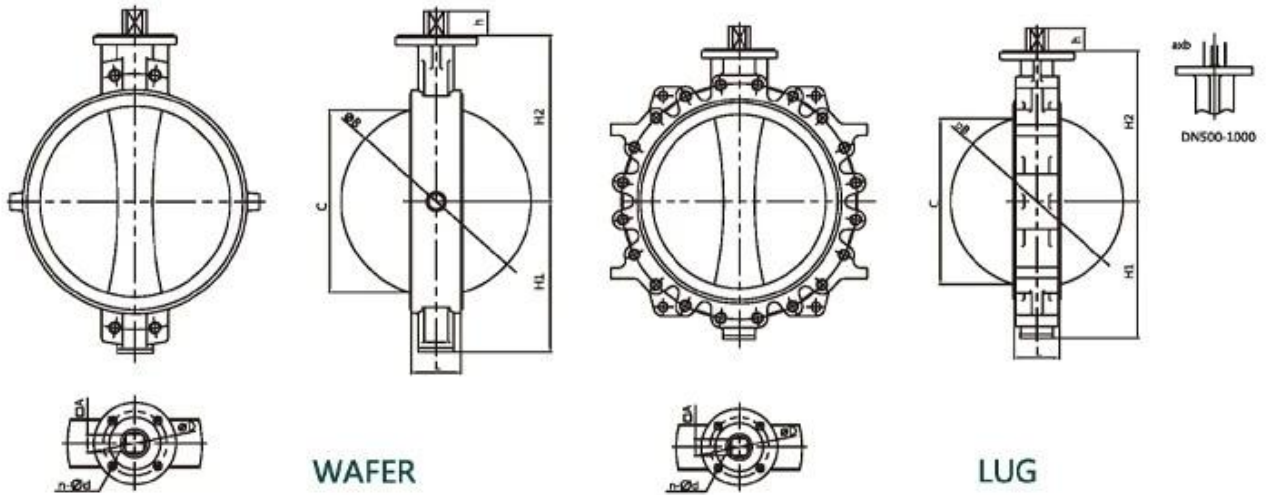
QUALITY STANDARD

- 100% quality test, follow DIN, ASTM, JIS, GB/T, ISO, BS EN, API
- ONLY ONE Manufacturer get CE certification up to DN1800
- 2 years warranty. 15000 times On-off test, 30000 times Destructive experiment



□□	DN32 - DN2400(NPS1 1/4-NPS96)
□□ □□	PN6 - PN10 - PN16(□□□ 150)
□□ □□	-40°C-120°C

□□	□□□ □□ □, □□□□□ □.
□□ □□	NBR, EPDM, □□□□, □□□, □□□
□□	□□□, □□, U-□□, □□ □□□



WAFER

LUG

NPS14-NPS40 Wafer/Lug with alignment holes

Size	L	H1	H2	h	A	ΦB	C	ΦG	a	b	ΦD	n-Φd	IS05211
NPS14	3.07	10.63	11.81	1.42	1.06	Φ13.31	12.95	-	-	-	Φ4.92	4-Φ0.55	F12
NPS16	4.02	11.81	13.58	1.69	1.26	Φ15.35	14.80	-	-	-	Φ5.50	4-Φ0.71	F14
NPS18	4.49	12.99	14.76	1.93	4.42	Φ17.20	16.61	-	-	-	Φ5.50	4-Φ0.71	F14
NPS20	5.00	15.16	16.73	2.56	-	Φ19.09	18.43	Φ2.36	0.71	2.52	Φ6.50	4-Φ0.87	F16
NPS24	6.06	17.24	19.49	2.76	-	Φ23.03	22.24	Φ2.36	0.71	2.52	Φ6.50	4-Φ0.87	F16
NPS28	6.50	20.39	22.44	3.15	-	Φ26.77	25.98	Φ2.76	0.79	2.93	Φ10.00	8-Φ0.71	F25
NPS30	6.50	21.46	24.02	3.15	-	Φ28.74	27.95	Φ2.76	0.79	2.93	Φ10.00	8-Φ0.71	F25
NPS32	7.48	22.32	25.20	3.15	-	Φ30.43	29.49	Φ2.76	0.79	2.93	Φ10.00	8-Φ0.71	F25
NPS36	7.99	25.59	27.56	3.94	-	Φ34.49	33.54	Φ3.15	0.87	3.35	Φ10.00	8-Φ0.71	F25
NPS40	8.50	28.15	29.53	3.94	-	Φ38.43	37.48	Φ3.15	0.87	3.35	Φ11.73	8-Φ0.87	F30

APPLICATION SCENARIO



Industrial water application



Power plant



Sea water desalination



Water treatment



Water supply and drainage



HAVC



Food and drug



Water transport



COMPANY INFORMATION



I 廠址: 廣東省 肇慶市, 肇慶市 肇慶縣 肇慶鎮.

II 廠 CNC 機房 廠, 廠 廠房 廠, 廠房 廠 廠, 廠 廠 廠 廠 廠.

III 廠 廠 廠 廠, 廠 廠 廠 廠 廠 廠 廠 廠.

VI 廠 廠 廠 廠 廠 廠 廠 廠 廠 廠 廠.

V 廠 廠: GB, 廠 廠, 廠 廠, TUV CE, ISO 9001, ADWO-2000, TS, PED, WRC WRAS, KTW, API 6D, API609.

VI 廠 廠: 廠 廠 廠, 廠 廠, 廠 廠 廠, 廠 廠, 廠 廠 廠, 廠 廠 廠, 廠 廠 廠 廠 廠 廠, 廠 廠.



01

21 years of professional experience

03

Independent research and development team
28 top senior professional researchers

05

100% high level ex-factory inspection

07

2 years quality assurance, repair and replacement

4 factories

02

2 professional testing centers

04

High quality imported materials

06

COMPANY QUALIFICATION



COMPANY EXHIBITION



Partners



□□□□ □□:

Q: □□□ □□□ □□ □□ □□□□□□?

□: □□" □□, □□, □□, □□, □□ □□□.

Q: □□ □□□□ □□ □□□□□□ □□ □ □□□□?

□: □□□, □□□, □□□, □□□□□ □□. RKSfluid □□□□□□ □□ □□□ □□□□□. □□□ □□ □□□ □□□□□.

Q: □□□ □□ □□□ □□□□□?

□: RKSfluid □□□ □□□ □□ □□□ □□□ □ □□ 4□□ □□□ □□□□.

Q: □□ □□□□

□: □□ □□□ □□□ □□ 2~5□ □□□ □□□ □□□□. □□□ □□□ □□ □□□ □□.

□□: **MOQ**

A: □□ □□□ □□ 1pc.

Q: □□ □□□ □□□□□?

A: □□ □ 100% □□ □□□, □□ 2□. □□□ □□ □□□ □□□□□.

□□□ TUV, API, WRAS, CE, ISO □□□ □□□□□.

□□□ DIN, ASME, BS EN, JIS, API, AWWA □ □□□□□.

Q: □□□□ □□□ □□□ □□□□ □□ □ □□□?

A: RKSfluid 20□□ □□□ □□□□ □□□ 70□ □□□ R&D □□□□□ □□ □□, □□ □□ □ □□ □□□ □□□□.