


## DESIGN FEATURES

### DURABLE

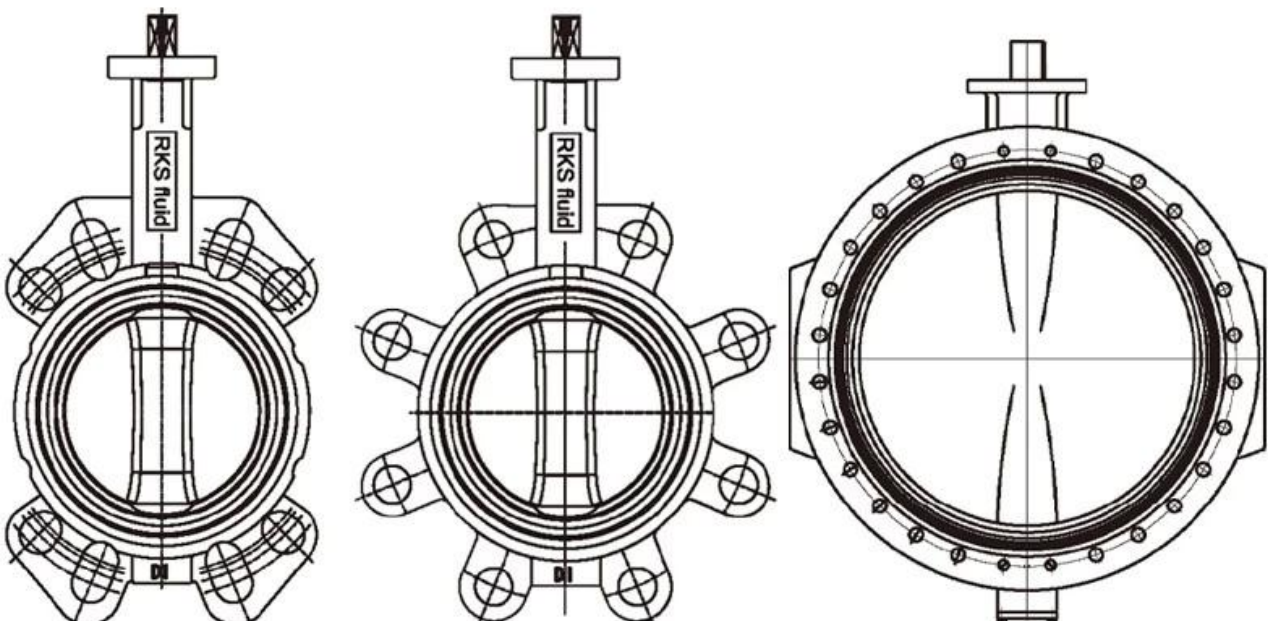
- No-pin connection, 1 pc blow-out proof stem
- DI/CI Nodularity over 95%

### ANTI-CORROSION

- Material: Epoxy powder:  Earth Best!
- Coating Thickness: 200-250µm
- Spraying temp: over 200°C. Doesn't fade, even wipe with diethyl ether

### QUALITY STANDARD

- 100% quality test, follow DIN, ASTM, JIS, GB/T, ISO, BS EN, API
- ONLY ONE Manufacturer get CE certification up to DN1800
- 2 years warranty. 15000 times On-off test, 30000 times Destructive experiment



# APPLICATION SCENARIO



Industrial water application



Power plant



Sea water desalination



Water treatment



Water supply and drainage



HAVC



Food and drug



Water transport





# COMPANY FACTORY



## COMPANY INFORMATION



□ □□ □□ : □□ □□ □□, □□ □ □□ □□ □□.

□ □□ CNC □□□ □□, □□ □□ □, □□ □□ □□ □□, □□ □□ □□ □ □□.

□ □□□ □□ □□ □□□ □□ □□ □□ □□□□ □□□□□.

☒ □□□ □□□ □ □□□ (Houston) □ □□ □□ □□□□□□□.

◆ □□ □□ : GB, □□ □□, □□ □□, TUV CE, ISO 9001, ADWO-2000, TS, PED, WRC WRAS, KTW, API 6D, API609.

VI □□ □□ : [□□□□□□](#), □ □□, □□□ □□, □□ □□, □□□ □□, □□□ □□, □□ / □□ / □□ □□□□□, □□ □□.





## COMPANY QUALIFICATION



## COMPANY EXHIBITION



□□□□ □□

**Q :** □□□□ □□□□ □□ □□ □□□□□?

**A :** □□□ □□, □□, □□, □□, □□ □□□.

**Q :** □□□□□□ □□ □ □ □□□□?

**A :** □□□, □□, □□, □□□□□ □□. RKSfluid □□□□□□ □□ □□□ □□□□□□. □□□ □□□□□□, □□ □□□□□□□.

**Q :** □□□ □□ □□□ □□□□□?

**A :** RKSfluid□□ □□□ □□□ □□ □ □□□ 4 □□ □□□ □□□□.

**Q :** □□ □□ □□

**A :** □□□□ □□□ 2 ~ 5 □ (2 ~ 5 □)□ □□□□□. □□□□ □□□ □□ □□□ □□ □ □□.

**Q :** **MOQ.**

**A :** □□ □□□ □□ 1pc.

**Q :** □□ □□□ □□□□□?

**A :** □□ □□ 100 % □□ □□□, 2 □ □□. □□□□ □□□□ □□□□□.

□□□ TUV, API, WRAS, CE, ISO □□□ □□□□□□.

□□, DIN, ASME, BS EN, JIS, API, AWWA.

**Q :** □□□□ □□□ □□□□ □□ □ □ □□□□?

**A :** RKSfluid □□□ 20 □ □□□ 70 □ □□□ R & D □□□□□ □□ □□, □□ □□ □ □□ □□□ □□□□□□.

