



RKSfluid®


A key Valve in Flow Control




Butterfly Valve



Ball Valve



Gate Valve



Globe Valve



Check Valve



Pipe Fittings



Resilient seat butterfly valve



Resilient seat butterfly valve



Resilient seat butterfly valve

PN10/PN16, ANSI 125LB/150LB,5K/10K

Size:DN25-DN2400

Body:DI CI

Disc: Stainless steel

Seat :EPDM, NBR, Viton

Connection: Wafer, Lug, Flange

PN10/PN16, ANSI 125LB/150LB,5K/10K

Size:DN25-DN2400

Body:DI CI

Disc: DI+ Nylon

Seat :EPDM, NBR, Viton

Connection: Wafer, Lug, Flange

PN10/PN16, ANSI 125LB/150LB,5K/10K

Size:DN25-DN2400

Body:DI CI

Disc: Stainless steel

Seat :EPDM, NBR, Viton

Connection: Wafer, Lug, Flange



Resilient seat butterfly valve



Double flange resilient seat butterfly valve



Short-neck butterfly valve for petroleum

PN10/PN16, ANSI 125LB/150LB,5K/10K

Size:DN25-DN2400

Body:DI CI

Disc: Stainless steel

Seat :EPDM, NBR, Viton

Connection: Wafer, Lug, Flange

PN10/PN16, ANSI 125LB/150LB, 5K/10K

Size:DN50-DN1000

Body:DI CI

Disc: Stainless steel

Seat :EPDM, NBR, Viton

Connection: Flange

ANSI 125LB/150LB

Top Flange Standard:ISO5211

Size:2"-12"

Body: DI CI

Disc :Stainless Steel

Seat : EPDM, NBR, Viton

Connection:Wafer, Lug



PTFE Butterfly Valve

BSEN 1092, DIN 2501, ANSI, JIS, AS2129

Size: DN50~DN600

Body: Ductile Iron

Disc: Ductile Iron+PTFE

Seat: PTFE

Connection: Wafer, Lug, Flange



PTFE Butterfly Valve

BSEN 1092, DIN 2501, ANSI, JIS, AS2129

Size: DN50~DN600

Body: Ductile Iron

Disc: Ductile Iron+PTFE

Seat: PTFE

Connection: Wafer, Lug, Flange



PTFE Butterfly Valve

BSEN 1092, DIN 2501, ANSI, JIS, AS2129

Size: DN50~DN600

Body: WCB, CF8, CF8M

Disc: CF8+PTFE, CF8M+PTFE

Seat: PTFE

Connection: Wafer, Lug



PTFE Butterfly Valve

BSEN 1092, DIN 2501, ANSI, JIS, AS2129

Size: DN50~DN600

Body: WCB, CF8, CF8M

Disc: CF8+PTFE, CF8M+PTFE

Seat: PTFE

Connection: Wafer, Lug



PTFE Butterfly Valve

BSEN 1092, DIN 2501, ANSI, JIS, AS2129

Size: DN50~DN600

Body: Ductile Iron

Disc: CF8, CF8M

Seat: PTFE

Connection: Wafer, Lug, Flange



PTFE Butterfly Valve

BSEN 1092, DIN 2501, ANSI, JIS, AS2129

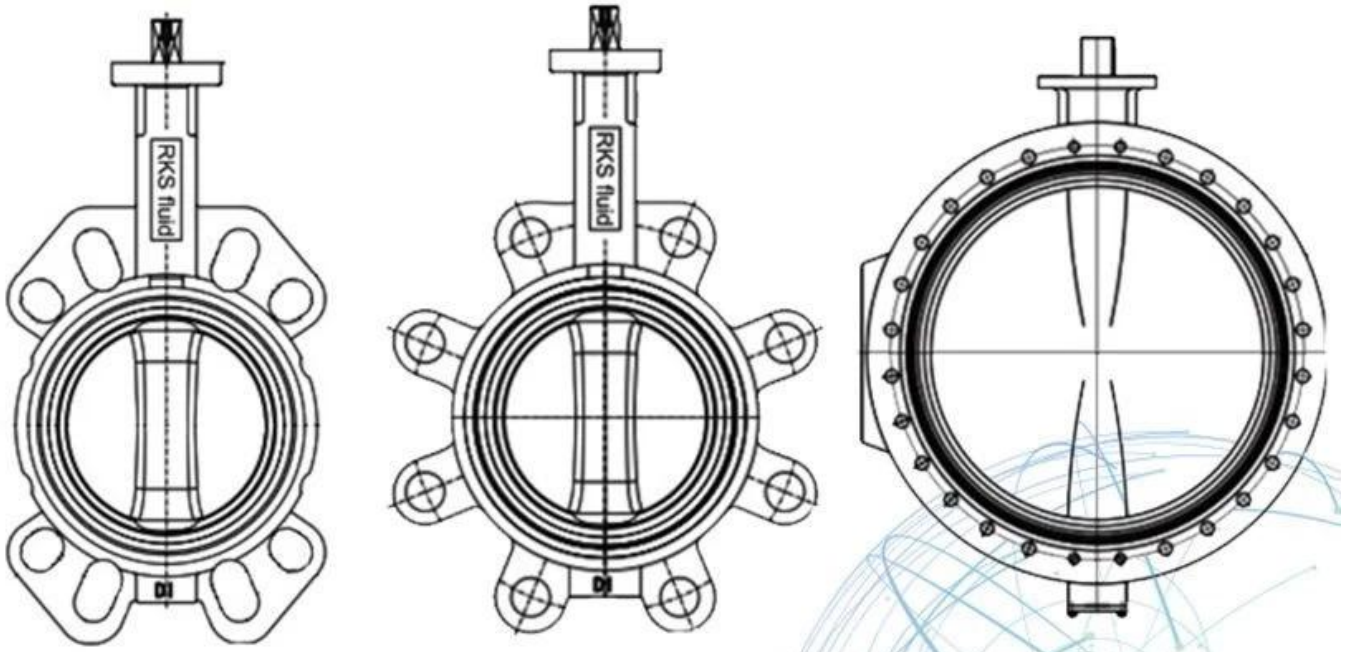
Size: DN50~DN600

Body: WCB

Disc: CF8 +PTFE, CF8 +PFA

Seat: PTFE

Connection: Wafer, Lug, Flange



APPLICATION SCENARIO



Industrial water application



Power plant



Sea water desalination



Water treatment



Water supply and drainage



HAVC



Food and drug



Water transport



Our Factory



Company Advantages

01

21 years of professional experience

03

Independent research and development team
28 top senior professional researchers

05

100% high level ex-factory inspection

07

2 years quality assurance, repair and replacement

4 factories

02

2 professional testing centers

04

High quality imported materials

06

I 产品系列：球阀系列，蝶阀系列，截止阀系列。

II 产品系列：球阀系列，蝶阀系列，截止阀系列，止回阀系列。

III 产品系列：球阀系列，蝶阀系列，截止阀系列，止回阀系列，过滤器系列。

IV 产品系列：球阀系列，蝶阀系列，截止阀系列，止回阀系列，过滤器系列。

Prodotto 产品系列：GB, 标准系列, 标准系列, TUV CE, ISO 9001, ADWO-2000, TS, PED, WRC WRAS, KTW, API 6D, API609.

VI 产品系列：球阀系列，蝶阀系列，截止阀系列，止回阀系列，过滤器系列，视镜系列，视镜系列，视镜系列。

Exhibition Photos



Our Certificates



□□□□ □□

Q : □□□ □□□ □□ □□ □□□□□□?

A : □□ □□, □□, □□, □□, □□ □□□.

Q : □□□□□□ □□□ □ □□□□□?

A : □□, □□, □□ □□□□□ □□. RKSfluid □□□□□□ □□ □□□ □□□□□□. □□□ □□ □□□□□□.

Q : □□□ □□ □□□ □□□□□□?

A : RKSfluid□□ □□□ □□□ □□□ □□□ 4 □□ □□□ □□□□□.

Q : □□ □□ □□

A : □□□□ □□□ 2 ~ 5 □□ □□□ □ □□□□□. □□□ □□ □□□ □□□□□.

Q : MOQ

: 1 □ □□ □□.

Q : □□□ □□ □□□?

: 100 % □□ □□□ □□ □□ 2 □ □□. □□□□ □□□□ □□□□□ □□□□□□.

□□□ TUV, API, WRAS, CE, ISO □□□ □□□□□□□.

DIN, ASME, BS EN, JIS, API, AWWA □□□ □□□□□□.

Q : □□□□ □□□ □□□ □□□□ □□ □ □ □□□□□?

A : RKSfluid 20 mm 鋼製 鋼製 鋼製 70 mm 鋼製 鋼製 鋼製 鋼製 鋼製, 鋼製 鋼製 鋼製 鋼製 鋼製.
DN50-DN2000 PN10 / PN16 / ANSI 150LB / JIS10K 鋼製 鋼製 鋼製 鋼製