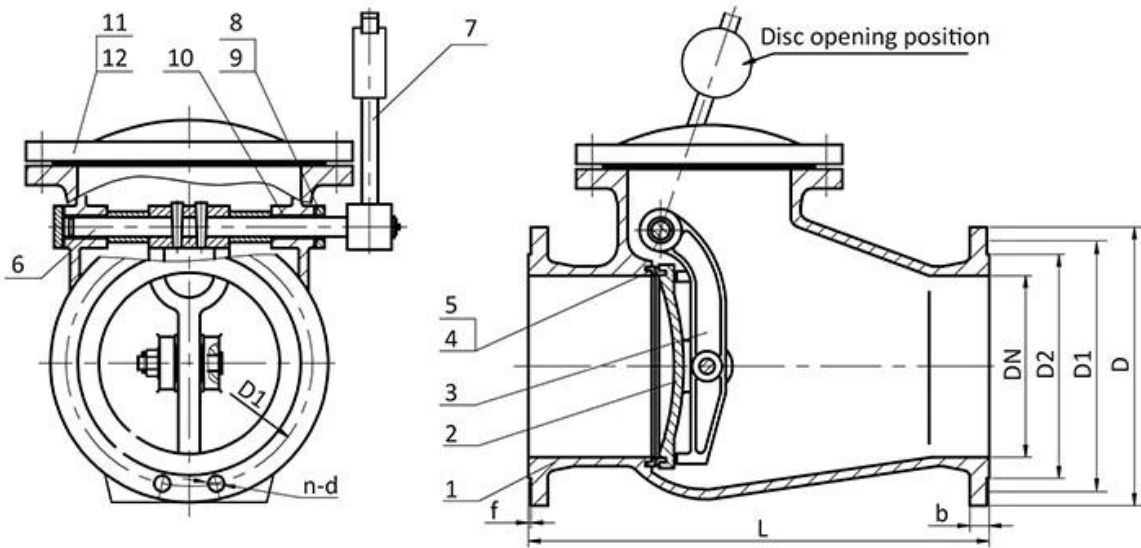


BS EN 12334 BS EN 1092-2:1997 PN10 DIN 3202 F6 BS EN 12266-1:2003 B

BS EN 12334 BS EN 1092-2:1997 PN10 DIN 3202 F6 BS EN 12266-1:2003 B

BS EN 12334	BS EN 12334
BS EN 1092-2:1997 PN10	BS EN 1092-2:1997 PN10
DIN 3202 F6	DIN 3202 F6
BS EN 12266-1:2003 B	BS EN 12266-1:2003 B
BS EN 12334	BS EN 12334
BS EN 1092-2:1997 PN10	BS EN 1092-2:1997 PN10
DIN 3202 F6	DIN 3202 F6
BS EN 12266-1:2003 B	BS EN 12266-1:2003 B
PN	PN10, PN16
DN	DN50-DN1600



APPLICATION SCENARIO



Industrial water application



Power plant



Sea water desalination



Water treatment



Water supply and drainage



HAVC



Food and drug



Water transport



COMPANY INFORMATION



I 0000: 0000 00, 00 0 0000 00.

II 00 CNC 000 00, 00 0000 0, 0000 00 00, 00 00 00 0 00.

III 000 00 00 00, 00 00 00 00 0000 000000.

VI 00 0000 0000 00000000 00000000.

V 00 00: GB, 00 00, 00 00, TUV CE, ISO 9001, ADWO-2000, TS, PED, WRC WRAS, KTW, API 6D, API609.

VI 00 000: 000000 00, 0 00, 000 00, 00 00, 000 00, 000 00, 00/00/00 000000, 00 00.



COMPANY EXHIBITION



COMPANY QUALIFICATION



Partners



Delivery



Payment



□□□□ □□:

Q: □□□ □□□ □□ □□ □□□□□?

□: □□" □□, □□, □□, □□, □□ □□□.

Q: □□ □□□□ □□ □□□□□□ □□ □ □□□□?

□: □□□, □□□, □□□, □□□□□ □□. RKSfluid □□□□□□ □□ □□□ □□□□□. □□□ □□ □□□□ □□□□□.

Q: □□□ □□ □□□ □□□□□?

□: RKSfluid □□□ □□□ □□ □□□ □□□ □ □□ 4□□ □□□ □□□□□.

Q: □□ □□□□

□: □□ □□□ □□□ □□ 2~5□ □□□ □□□ □□□□□. □□□ □□□ □□ □□□ □□□□□□□.

□□: **MOQ**

A: □□ □□□ □□ 1pc.

Q: □□ □□□ □□□□□□?

A: □□ □ 100% □□ □□□, □□ 2□. □□□ □□ □□□ □□□□□□□.

□□□ TUV, API, WRAS, CE, ISO □□□ □□□□□□□.

□□□ DIN, ASME, BS EN, JIS, API, AWWA □□□□□□□.

Q: □□□□ □□□ □□□ □□□□ □□□ □ □□□□?

A: RKSfluid 20□□ □□□ □□□□ □□□□ 70□ □□□ R&D □□□□□ □□ □□, □□ □□ □ □□ □□□ □□□□□□□.