

## DESIGN FEATURES

### DURABLE

- No-pin connection, 1 pc blow-out proof stem
- DI/CI Nodularity over 95%

### ANTI-CORROSION

- Material: Epoxy powder:  , Earth Best!
- Coating Thickness: 200-250µm
- Spraying temp: over 200°C. Doesn't fade, even wipe with diethyl ether

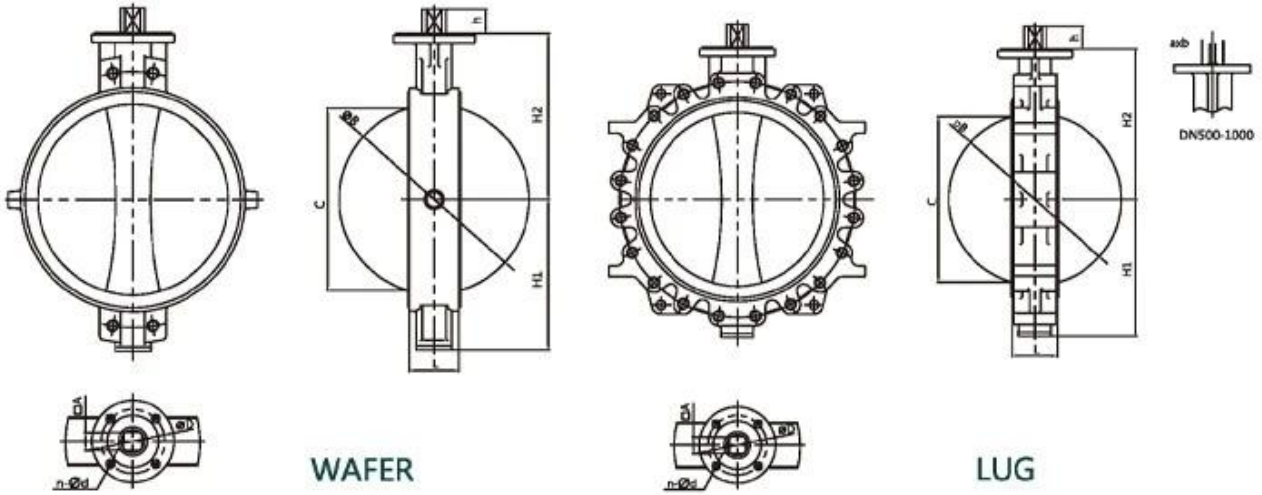
### QUALITY STANDARD

- 100% quality test, follow DIN, ASTM, JIS, GB/T, ISO, BS EN, API
- ONLY ONE Manufacturer get CE certification up to DN1800
- 2 years warranty. 15000 times On-off test, 30000 times Destructive experiment



|       |                                |
|-------|--------------------------------|
| □□    | DN32 -DN2400 (NPS1 1/4 -NPS96) |
| □□ □□ | PN6 -PN10 -PN16 (□□□ 150)      |
| □□ □□ | -40+--+120 °C                  |

|       |                           |
|-------|---------------------------|
| □□    | □□ □, □□□□□ □□ □          |
| □□ □□ | NBR, EPDM, □□ □□, □□□, □□ |
| □□    | □□□, □□, U- □□, □□ □□□    |



| NPS14-NPS40 Wafer/Lug with alignment holes |      |       |       |      |      |        |       |       |      |      |        |         |         |
|--|------|-------|-------|------|------|--------|-------|-------|------|------|--------|---------|---------|
| Size                                       | L    | H1    | H2    | h    | A    | ΦB     | C     | ΦG    | a    | b    | ΦD     | n-Φd    | IS05211 |
| NPS14                                      | 3.07 | 10.63 | 11.81 | 1.42 | 1.06 | Φ13.31 | 12.95 | -     | -    | -    | Φ4.92  | 4-Φ0.55 | F12     |
| NPS16                                      | 4.02 | 11.81 | 13.58 | 1.69 | 1.26 | Φ15.35 | 14.80 | -     | -    | -    | Φ5.50  | 4-Φ0.71 | F14     |
| NPS18                                      | 4.49 | 12.99 | 14.76 | 1.93 | 4.42 | Φ17.20 | 16.61 | -     | -    | -    | Φ5.50  | 4-Φ0.71 | F14     |
| NPS20                                      | 5.00 | 15.16 | 16.73 | 2.56 | -    | Φ19.09 | 18.43 | Φ2.36 | 0.71 | 2.52 | Φ6.50  | 4-Φ0.87 | F16     |
| NPS24                                      | 6.06 | 17.24 | 19.49 | 2.76 | -    | Φ23.03 | 22.24 | Φ2.36 | 0.71 | 2.52 | Φ6.50  | 4-Φ0.87 | F16     |
| NPS28                                      | 6.50 | 20.39 | 22.44 | 3.15 | -    | Φ26.77 | 25.98 | Φ2.76 | 0.79 | 2.93 | Φ10.00 | 8-Φ0.71 | F25     |
| NPS30                                      | 6.50 | 21.46 | 24.02 | 3.15 | -    | Φ28.74 | 27.95 | Φ2.76 | 0.79 | 2.93 | Φ10.00 | 8-Φ0.71 | F25     |
| NPS32                                      | 7.48 | 22.32 | 25.20 | 3.15 | -    | Φ30.43 | 29.49 | Φ2.76 | 0.79 | 2.93 | Φ10.00 | 8-Φ0.71 | F25     |
| NPS36                                      | 7.99 | 25.59 | 27.56 | 3.94 | -    | Φ34.49 | 33.54 | Φ3.15 | 0.87 | 3.35 | Φ10.00 | 8-Φ0.71 | F25     |
| NPS40                                      | 8.50 | 28.15 | 29.53 | 3.94 | -    | Φ38.43 | 37.48 | Φ3.15 | 0.87 | 3.35 | Φ11.73 | 8-Φ0.87 | F30     |

# APPLICATION SCENARIO



Industrial water application



Power plant



Sea water desalination



Water treatment



Water supply and drainage



HAVC



Food and drug



Water transport



## COMPANY INFORMATION



i 0000 00 : 00 00 00, 00 0 00 00 00.

CNC 00 00, 00 00 0, 0000 00 00, 00 00 00 0 00.

■ 00 00 00 000 000 0000000 000 00 00 00.

000 0000 000 0000 00 00 000 0000000.

v 00 00 : GB, 00 00, 00 00, TUV CE, ISO 9001, ADWO-2000, TS, PED, WRC WRA, KTW, API 6D, API609.

VI 00 0000 : [00-0-00](#), 0 00, 000 00, 00 00, 000 00, 000 00, 00 / 00 / 00 00000, 00 00.



01

21 years of professional experience

03

Independent research and development team  
28 top senior professional researchers

05

100% high level ex-factory inspection

07

2 years quality assurance, repair and replacement

4 factories

02

2 professional testing centers

04

High quality imported materials

06

## COMPANY QUALIFICATION



## COMPANY EXHIBITION



## Partners



□□□□ □□:

**Q :** □□□ □□□ □□ □□ □□□□□□?

**A :** □□□ □□, □□, □□, □□, □□ □□□.

**Q :** □□□□□□ □□ □ □ □□□□?

**A :** □□, □□, hrdraulic, □□□□□ □□.RKSfluid □□□□□□ □□ □□□ □□□□□□.□□□□ □□ □□ □□□□ □ □□□□.

**Q :** □□ □□□ □□□□□?

**A :** RKSfluid□□ □□□ □□□ □□ □ □□□ 4 □□ □□□ □□□□.

**Q :** □□ □□ □□

**A :** □□ □□□ 2 ~ 5 □□□□ □□□ □□□□□.□□□□ □□□ □□ □□□ □□.

**Q :** **MOQ**

**A :** □□ □□□ □□ 1pc.

**Q :** □□ □□□ □□□□□?

**A :** □□ □ 100% □□ □□□, 2 □ □□.□□□□ □□□□ □□□□□□.

TUV, API, WRA, CE, ISO □□□ □□□□□□.

□□□ DIN, ASME, BS EN, JIS, API, AWWA□ □□□□□□.

**Q :** □□□□ □□□ □□□□ □□□ □□ □ □ □□□□?

**A :** RKSfluid □□□ 20 □ □□□ 70 □ □□□ R & D □□□□□ □□ □□, □□ □□ □ □□ □□□ □□□□□.