

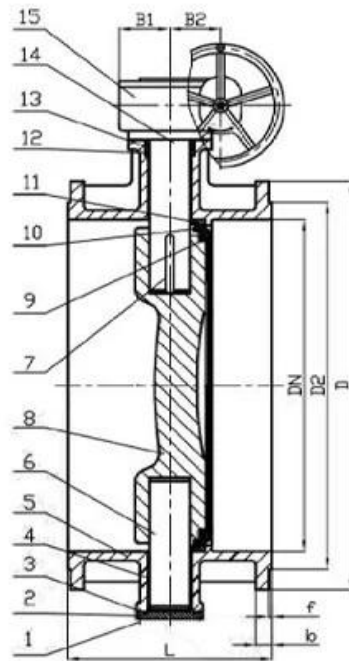
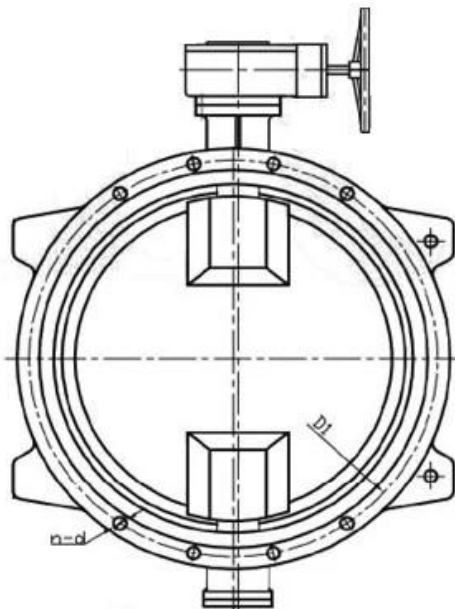
DESIGN FEATURES



This series of butterfly valves are used for industrial pipelines, as bi-directional open and close and regulation devices, the adjustment range is from 40°C-90°C full open. Suitable temperature $\geq 80^{\circ}\text{C}$

Features

- Size range DN100-1200mm
- Standard-ISO/BS/DIN/AWWA/API
- Tests Standard-BS EN 12266-1
- Body-Ductile Iron/Cast Iron/Stainless Steel /WCB
- Body Ring-SS420/SS304/SS316
- Disc Ring-EPDM
- Shaft-SS420/SS431/SS316
- Fusion bonded epoxy coating-Min 300 Microns



APPLICATION SCENARIO



Industrial water application



Power plant



Sea water desalination



Water treatment



Water supply and drainage



HAVC



Food and drug



Water transport



COMPANY FACTORY



COMPANY INFORMATION



i 0000 00 : 00 00 00, 00 0 00 00 00.

CNC 00 00, 00 00 0, 0000 00 00, 00 00 00 0 00.

■ 00 00 00 000 000 0000000 000 00 00 00.

000 0000 000 0000 00 00 000 0000000.

v 00 00 : GB, 00 00, 00 00, TUV CE, ISO 9001, ADWO-2000, TS, PED, WRC WRAS, KTW, API 6D, API609.

VI 00 0000 : 00 0 00, 0 00, 000 00, 00 00, 000 00, 000 00, 00 / 00 / 00 00000, 00 00.

01

21 years of professional experience

03

Independent research and development team
28 top senior professional researchers

05

100% high level ex-factory inspection

07

2 years quality assurance, repair and replacement

4 factories

02

2 professional testing centers

04

High quality imported materials

06

COMPANY QUALIFICATION



COMPANY EXHIBITION



Partners



Delivery



Payment



□□□□ □□:

Q : □□□ □□□ □□ □□ □□□□□□?

A : □□□ □□, □□, □□, □□, □□ □□□.

Q : □□□□□□ □□ □ □□□□□?

A : □□, □□, hrdraulic, □□□□□ □□.RKSfluid □□□□□□ □□ □□□ □□□□□□.□□□ □□□ □□ □□ □□□□ □ □□□□.

Q : □□ □□□ □□□□□□?

A : RKSfluid□□ □□□ □□□ □□ □ □□□ 4 □□ □□□□ □□□□□.

Q : □□ □□ □□

A : □□ □□□ 2 ~ 5 □□□□ □□□ □□□□□.□□□ □□□ □□ □□□ □□.

Q : MOQ

A : □□ □□□ □□ 1pc.

Q : □□ □□□ □□□□□□?

A : □□ □ 100% □□ □□□, 2 □ □□.□□□□□ □□□□□□□□□□□□.

□□□ TUV, API, WRA, CE, ISO □□□ □□□□□□□.

□□□ DIN, ASME, BS EN, JIS, API, AWWA□ □□□□□□□.

Q : □□□□ □□□ □□□□ □□□ □□ □ □ □□□□□?

A : RKSfluid 20 70 R & D ,