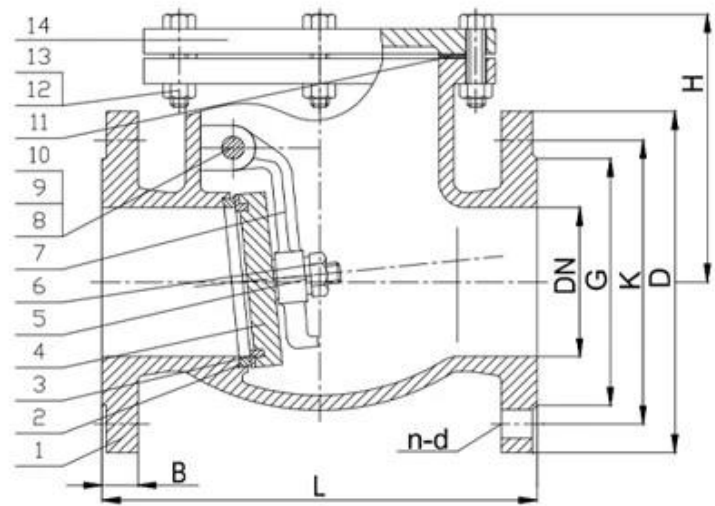
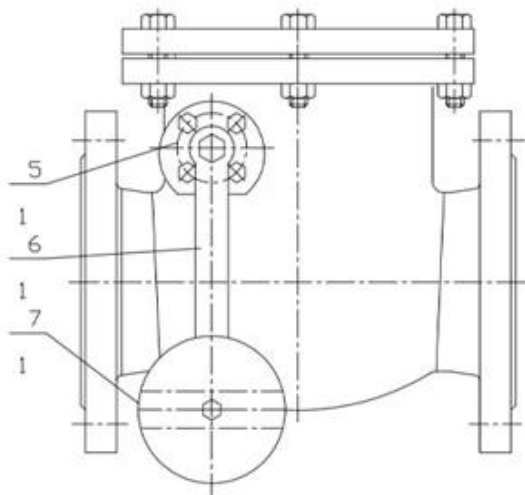


AWWA C515 ASME B16.1/16.42 5153 EN12266 0-80°C 11/18 15/24 10/16 DN40-DN400

ASME B16.1/16.42 5153 EN12266 0-80°C 11/18 15/24 10/16 DN40-DN400

AWWA C515	ASME B16.1/16.42
5153	EN12266
0-80°C	11/18
15/24	10/16
DN40-DN400	



APPLICATION SCENARIO



Industrial water application



Power plant



Sea water desalination



Water treatment



Water supply and drainage



HAVC



Food and drug



Water transport



COMPANY INFORMATION



I 工厂: 工厂 1, 工厂 2 工厂 3.

II 工厂 CNC 工厂 1, 工厂 2 工厂 3, 工厂 4 工厂 5.

III 工厂 1 工厂 2, 工厂 3 工厂 4 工厂 5.

VI 工厂 1 工厂 2 工厂 3 工厂 4.

V 工厂 1: GB, 工厂 2, 工厂 3, TUV CE, ISO 9001, ADWO-2000, TS, PED, WRC WRAS, KTW, API 6D, API609.

VI 工厂 1: 工厂 1, 工厂 2, 工厂 3, 工厂 4, 工厂 5, 工厂 6, 工厂 7, 工厂 8, 工厂 9, 工厂 10.



COMPANY EXHIBITION



COMPANY QUALIFICATION



Partners



Delivery



Payment



FAQ:

Q: How long does it take to deliver?
A: It depends on the destination, quantity, and shipping method.

Q: How do I place an order?
A: You can contact us via email, phone, or our website. RKSfluid will provide you with a quotation and order form.

Q: How long is the lead time?
A: RKSfluid has a lead time of 4 weeks for most products.

Q: How long is the warranty?
A: We provide a 2-5 year warranty for our products, depending on the model.

Q: What is the MOQ?
A: The MOQ is 1 pc.

Q: How do I get a quote?
A: We provide a 100% free quote, within 24 hours. We are certified by TUV, API, WRAS, CE, ISO 9001, ISO 14001, DIN, ASME, BS EN, JIS, API, AWWA.

Q: How long has your company been in business?
A: RKSfluid has been in business for 27 years, with 70 years of R&D experience. We are a professional and reliable company.