

## Product Description



Super Anti-corrosion  
Epoxy powder coating **200-250µm**,  
baking varnish over **200°C**,  
use  material.



Free wedge nut, **reduces the stem bending forces** and at the same time enables it to be easily replaced.



The more compact new cap, reduces the water retention areas in order to **reduce the risk of bacterial growth**.



One piece stainless steel stem in for **better resistance to axial load and to with stand higher operating torques**.



**Three locking tab** for bayonet system prevents self-dismantling.



Dust guard integrating three O-ring shape, **prohibiting the introduction of foreign bodies** at the stem.



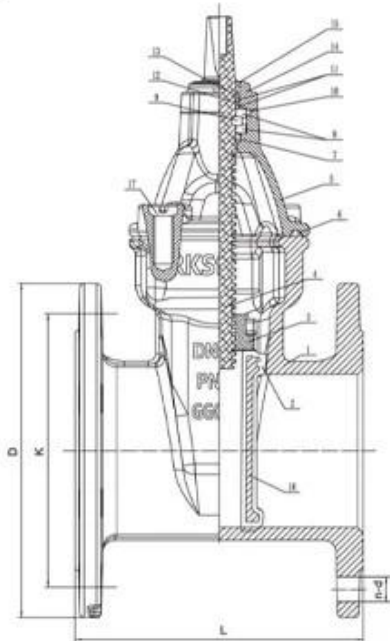
**Male guiding system with composite sliding skate** reduces the wear of the wedge against the body, allowing a smooth functionality and a longer life time of the valve.



**Triple seal at the operating stem** to ensure tightness with the test of time (2500 cycles).



**New male composite sliding skate technology** ensuring a low operating torque even under high differential pressure and preventing damage or corrosion generated by the friction.



Name	Material
Body	GGG50
Disc	GGG40+EPDM
Wedge nut	C48600
Stem	SS431
Bonnet	GT450-10
Gasket	EPDM
Y-ring	EPDM85-90
Fix ring	CuZn21Si3/C69300
Thrust bearing	C69300
Seal ring	EPDM70
O ring	NBR
Retainer ring	POM
Bushing ring	POM
Gland	SS431
Dustproof ring	EPDM85
Disc core	GGG40
Bolt	SS316

## Design standard

Design standard	BS EN 1171 ANSI
Flange	GB/T 17241.6-2008、 DIN 2633-1975、 BS EN1902-2
Face to face	GB/T 12221-2005、 ISO 5752-1988、 BS EN558-1(F4、 F5)
Test standard	EN12266

## Specification

Size	DN50-900
Pressure	PN10 PN16 class150
Medium	Water
Temperature	0°C~90°C

# PRODUCT DISPLAY



# SHIPPING PACKAGING



## COMPANY INFORMATION



1 00 00 : 00 00 00, 00 0 00 00 00.

00, 00 000 00, 00 000 00 00, 00 00 00 0 00 00 || 00 CNC.

III 000 00 00 00, 00 00 00 0000 000000.

IV 000 00, 000, 000000 00 00 000 0000.

V 00 00 : GB, 000 00, 00 00, TUV CE, ISO 9001, ADWO-2000, TS, PED, WRC WRAS, KTW, API 6D, API609.

VI 00 00 : 00 000 00, 0 00, 000 00, 00 00, 000 00, 000 00 00 / 00 / 00 00000, 00 00.

# COMPANY INFORMATION



# EXHIBITION



□□□□ □□

Q : □□ □□□□□□ □□, □□ □□ □□ □□□□?

A : □□ '□□, □□, □□, □□, Application □□□.

Q : □□□ □□□□□ □□ □ □□□□, □□□ □□□?

A : □□, □□, Hrdraulic, □□□□□ □□. RKSfluid □□□□□□ □□ □□□ □□□□. □□□ □□□□□ □□ □□□□□□□.

Q : □□□ □□ □□□ □□□□□?

A : RKSfluid□ □□□ □□□□□ □□□ □□ □ □□□ □ □□ □□□□□□.

Q : □□ □□ □□

A□ : □□ □□□ 2 ~ 5 □□ □□□ □□□. □□□ □□□ □□□ □□.

Q : MOQ

A : □□ □□□ 1 □.

Q : □□□ □□ □□□ □□□□□?

A : □□□ □□ 100 % □□ □□□, 2 □ □□. □□□ □□□ □□□ □□□□□.

□□□ TUV, API, WRAS, CE, ISO □□□ □□□.

□□□ DIN, ASME, BS EN, JIS, API, AWWA□ □□□□□□.

Q : □□□ □□□ □□□□ □□□ □□□ □□ □ □□□?

A : RKSfluid □□□ 20 □ □□□ 70 □ □□□ R & D □□□□□ □□ □□, □□ □□ □ □□ □□□ □□□□□.