



RKSfluid®

A key Valve in Flow Control



Butterfly Valve



Ball Valve



Gate Valve



Globe Valve

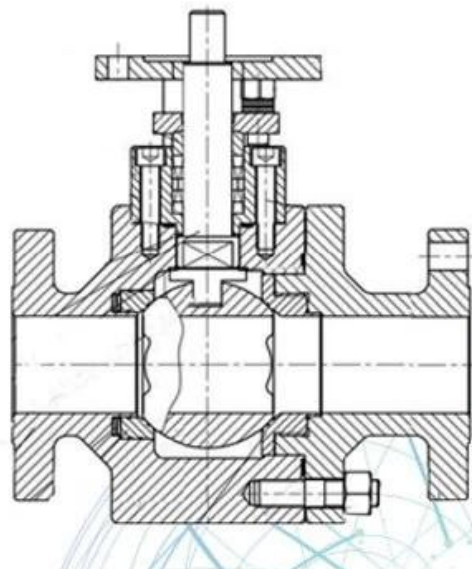
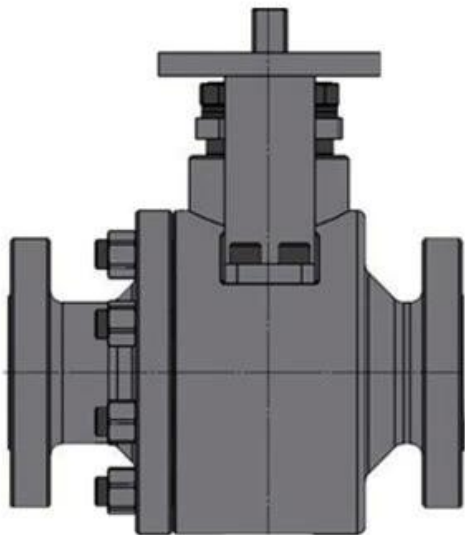
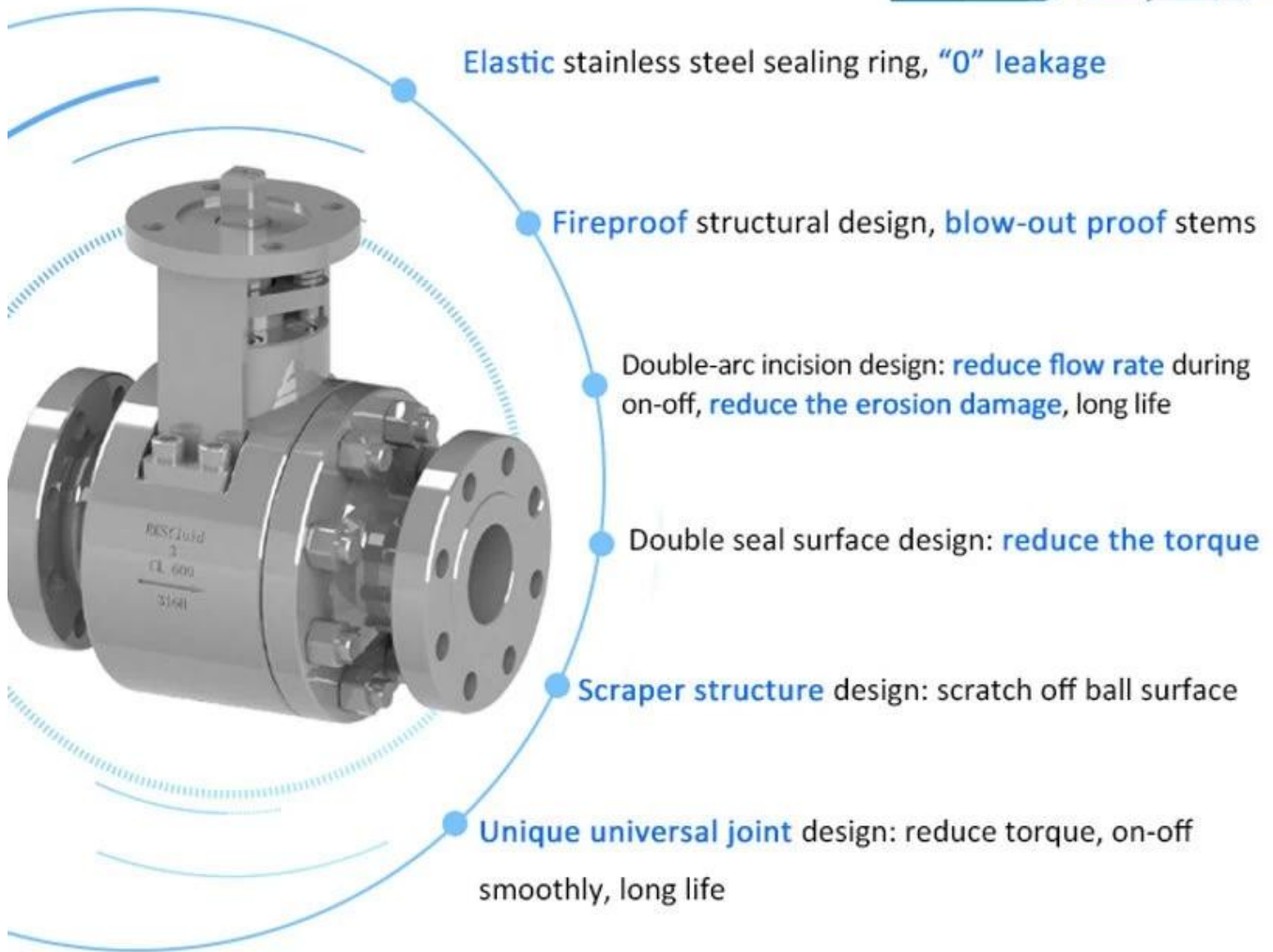


Check Valve



Pipe Fittings

DESIGN FEATURES



APPLICATION SCENARIO



Industrial water application



Power plant



Petroleum



Steel



Wastewater treatment



Acid-base



Healing drugs



Refined coal



Our Factory



Company Advantages

01

21 years of professional experience

03

Independent research and development team
28 top senior professional researchers

05

100% high level ex-factory inspection

07

2 years quality assurance, repair and replacement

4 factories

02

2 professional testing centers

04

High quality imported materials

06



I 100% professional experience, 21 years of professional experience.

II CNC processing, independent R&D team, 28 top senior professional researchers.

III 100% high level ex-factory inspection, 2 years quality assurance, repair and replacement.

IV High quality imported materials, 2 professional testing centers.

V Certifications: GB, ISO 9001, TUV CE, ADWO-2000, TS, PED, WRC WRAS, KTW, API 6D, API609.

VI ảnh ảnh : ảnh ảnh ảnh, ảnh ảnh, ảnh ảnh, ảnh ảnh, ảnh ảnh, ảnh ảnh, ảnh / ảnh / ảnh ảnh ảnh, ảnh ảnh.

Exhibition Photos



Our Certificates



□□□□ □□

Q : □□□ □□□□ □□ □□□ □□□□□?

A : □□□ □□, □□, □□, □□, Application System.

Q : □□□□□□ □□ □ □□□□□?

A : □□□, □□□, □□□, □□□□□ □□. RKSfluid □□□□□□ □□ □□□ □□□□□□. □□□ □□ □□□ □□□□□□.

Q : □□□ □□ □□□ □□□□□□?

A : RKSfluid□□ □□□ □□□ □□ □ □□□ 4 □□ □□□ □□□□□.

Q : □□ □□ □□

A : □□ □□□ 2 ~ 5 □ □□ □□□ □□□□□. □□□ □□□ □□ □□□ □□.

Q : MOQ

A : □□ □□□ □□ 1pc.

Q : □□ □□□ □□□□□□?

□□ : □□ □□ 100 % □□ □□□, 2 □ □□. □□□ □□ □□□ □□□□□□□.

□□□ TUV, API, WRAS, CE, ISO □□□ □□□□□□.

□□□ DIN, ASME, BS EN, JIS, API, AWWA□ □□□□□□.

Q : □□□□ □□□ □□□□□ □□□□□□□□□□?

A : RKSfluid □□□ 20 □□ □□□ 70 □ □□□ R & D □□□□□ □□ □□, □□ □□ □ □□ □□□ □□□□□□.