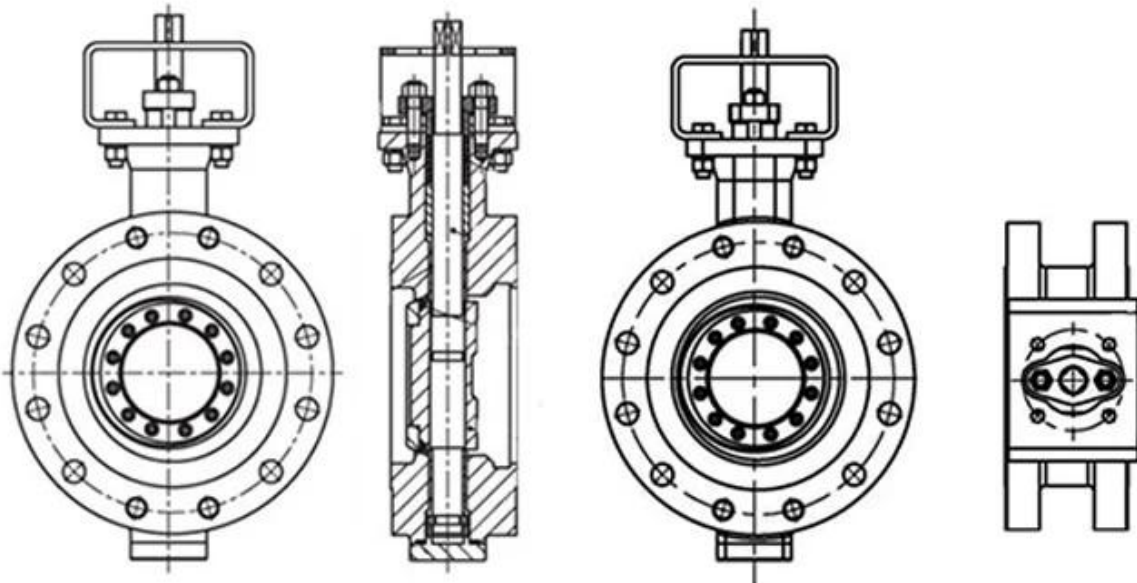


## DESIGN FEATURES



- 1.Elastic stainless steel sealing ring,"0"leakage
- 2.Fireproof structural design,blow-out proof stems
- 3.Auto welding plasma powder surfacing valve seat
- 4.Hollow design, reduces flow resistance
- 5.Interchangeable DSS entity seal / multiple-piece
- 6.stainless and graphite seal
- 7.ISO5211 Mounting platform,simple connection



# APPLICATION SCENARIO



Industrial water application



Power plant



Sea water desalination



Water treatment



Water supply and drainage



HAVC



Food and drug



Water transport



## COMPANY INFORMATION



Activity 鋼 鋼 : 鋼 鋼 鋼, 鋼 鋼 鋼 鋼.

■ 鋼 CNC 鋼 鋼, 鋼 鋼 鋼, 鋼 鋼 鋼 鋼, 鋼 鋼 鋼 鋼 鋼.

valves 鋼 鋼 鋼 鋼 鋼 鋼 鋼 鋼 鋼 鋼 鋼 鋼.

鋼 鋼 鋼 鋼 鋼 鋼 鋼 鋼 鋼 鋼 鋼 鋼.

v 鋼 鋼 : GB, 鋼 鋼, 鋼 鋼, TUV CE, ISO 9001, ADWO-2000, TS, PED, WRC WRA, KTW, API 6D, API609.

VI 鋼 鋼 : 鋼 鋼, 鋼 鋼, 鋼 鋼 鋼, 鋼 鋼 鋼, 鋼 鋼 鋼, 鋼 鋼 鋼, 鋼 / 鋼 / 鋼 鋼 鋼 鋼, 鋼 鋼.



# COMPANY QUALIFICATION



## COMPANY EXHIBITION



□□□□ □□

Q : □□□ □□□ □□ □□ □□□□□□?

A : □□ □□, □□, □□, □□, □□ □□□.

Q : □□□□□□ □□ □ □ □□□□?

A : □□, □□, hydraulic, □□□□□ □□. RKSfluid □□□□□□ □□ □□□ □□□□□. □□□ □□□□□, □□□□ □ □□□□.

Q : □□ □□□ □□□□□?

A : RKSfluid□□ □□□ □□□ □□ □ □□□ 4 □□ □□□ □□□□.

Q : □□ □□

A : □□ □□□ 2 ~ 5 □□□□ □□□ □□□□. □□□ □□□ □□ □□□ □ □□.

Q : MOQ

A : □□ □□□ □□ 1pc.

Q : □□□ □□ □□?

A : □□ □ 100%, 2 □ □□ □□ □□□. □□□ □□□ □□□□□□.

□□□ TUV, API, WRAS, CE □□, ISO□ □□□□□□.

DIN, ASME, BS EN, JIS, API, AWWA□ □□ □□□□□□.

Q : □□□□ □□□ □□□□ □□□ □□ □ □ □□□□?

A : RKSfluid□□ 20 □□ □□□ □□□ 70 □ □□□ R & D □□□□□ □□ □□, □□ □□ □ □□ □□ □□□□□□.