



RKSfluid®

A key Valve in Flow Control



Butterfly Valve



Ball Valve



Gate Valve



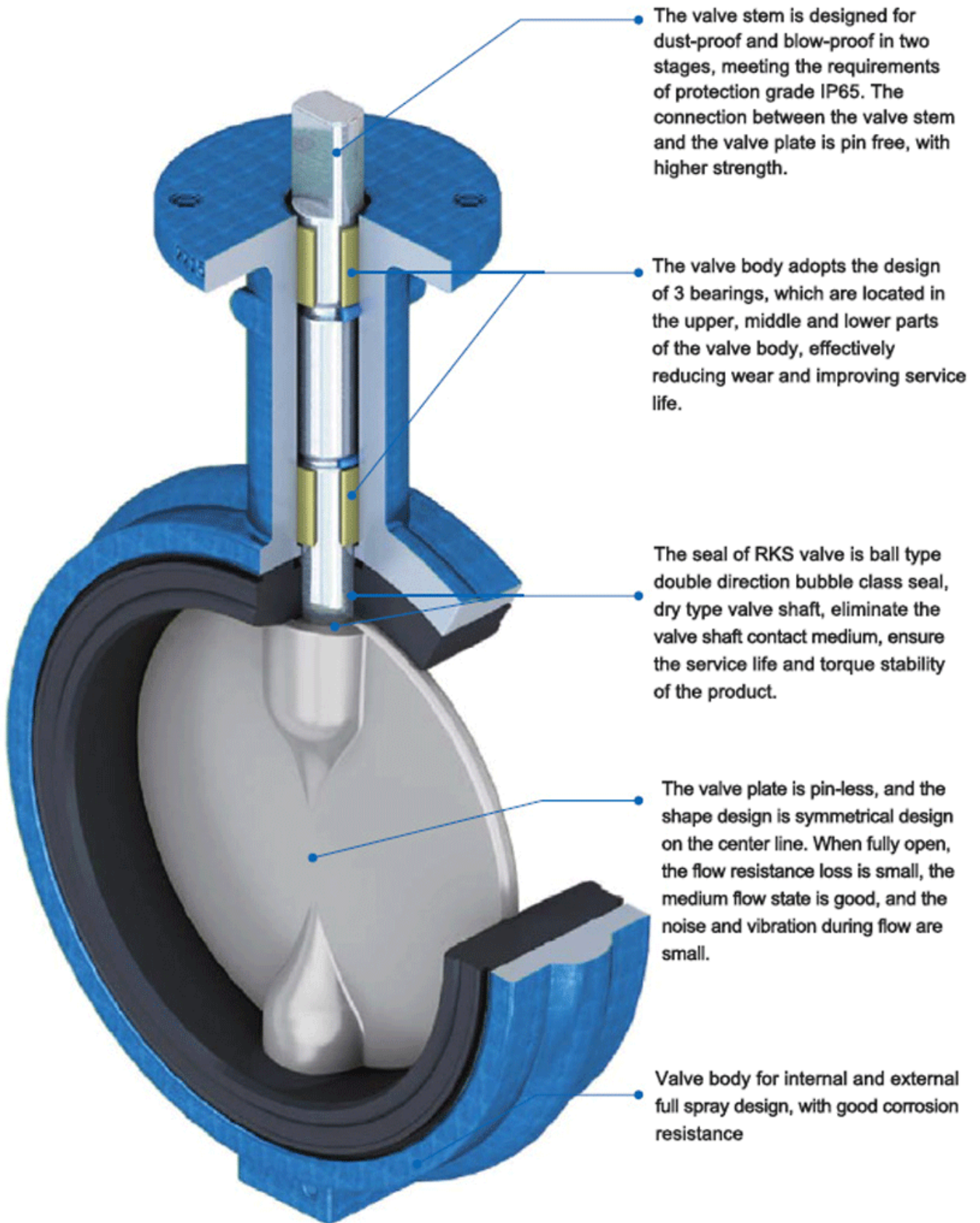
Globe Valve

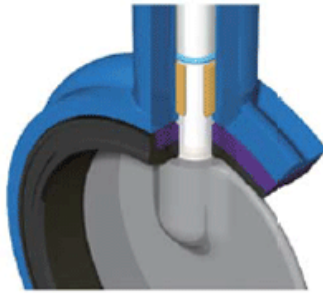
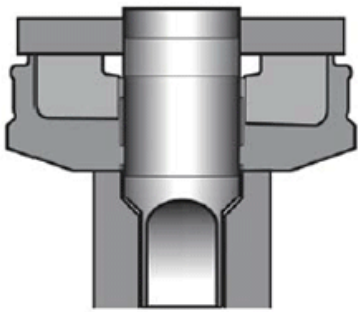


Check Valve

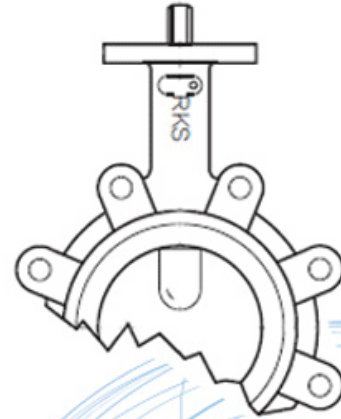


Pipe Fittings





The composite seat of the RKS valve is formed by permanently gluing an elastomer to a rigid gasket ring. In addition to superior seal integrity, this design makes valve installation easier while reducing high torque and premature failure due to rubber deformation. Modular design simplifies seat replacement and ensures economical maintenance



APPLICATION SCENARIO



Industrial water application



Power plant



Sea water desalination



Water treatment



Water supply and drainage



HAVC



Food and drug



Water transport



Our Factory



Company Advantages

01

21 years of professional experience

03

Independent research and development team
28 top senior professional researchers

05

100% high level ex-factory inspection

07

2 years quality assurance, repair and replacement

4 factories

02

2 professional testing centers

04

High quality imported materials

06



I 21 years of professional experience.

II Independent R&D team, 28 senior researchers, 2 professional testing centers.

III 100% high-level ex-factory inspection.

IV 2-year quality assurance, repair and replacement.

V Certifications: GB, ISO 9001, TUV CE, ADWO-2000, TS, PED, WRC WRAS, KTW, API 6D, API 609.

VI 圖 冊 : 00-0000, 0 冊, 000 冊, 00 冊, 000 冊, 000 冊, 00 / 00 / 00 冊冊冊, 00 冊。

Exhibition Photos



Our Certificates



Q : 100% 100% 100% 100% 100%?

A : 100%, 100%, 100%, 100%, 100% 100%.

Q : 100% 100% 100% 100%?

A : 100%, 100%, 100%, 100% 100%. RKSfluid 100% 100% 100%. 100% 100%, 100% 100%.

Q : 100% 100% 100%?

A : RKSfluid 100% 100% 100% 100% 4 100% 100% 100%.

Q : 100% 100%

: 100% 100% 2 ~ 5 100%. 100% 100% 100%.

Q : MOQ

: 1 100% 100%.

Q : 100% 100% 100%?

: 100% 100% 100% 100% 2 100%. 100% 100% 100% 100%.

100% TUV, API, WRAS, CE, ISO 100% 100%.

100% DIN, ASME, BS EN, JIS, API, AWWA 100% 100%.

Q : 100% 100% 100% 100% 100% 100%?

A : RKSfluid 20 100% 100% 100% 70 100% R & D 100% 100%, 100% 100% 100% 100%.