

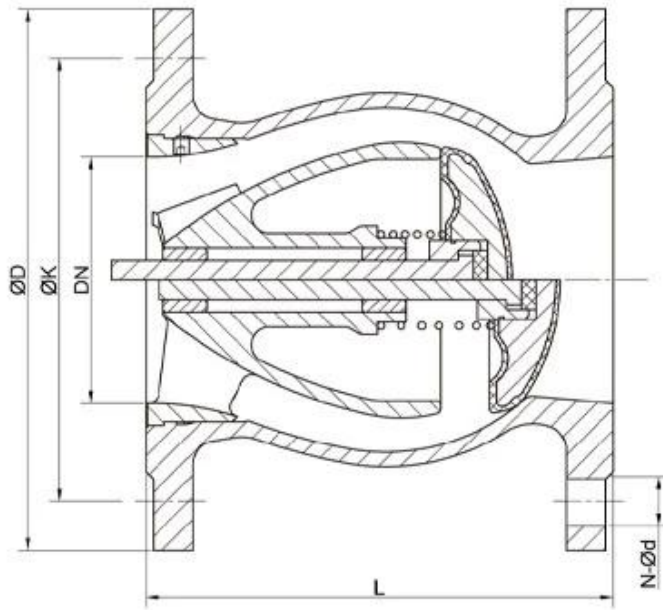
000-00-00, 0 00 00 000 000 00 00 00000000 00 00 0000 0 0000 0000 0 000000.

- 00000 0000 00 0 00000 0000 00 00.
- 00000 00 00 0000 00 00 0000 0000 00000 00 0000 00 0 00000.
- 00 00 00 00 00 00 0 00, 00 00 0000 0 00, 0 00 00000000 00 0000 0 00000 00000 00 00000000.
- 00000 00 00 0 00 00 00 00000 00.
- 00 0000 00 00 00 0000 00000.
- 00000 0000 00 0000 00000 0 00 0 000000 00 000000.
- 0000 00000 00 00000 00000 0000 00000000 00 0000.
- 00000 0 00 00 000000 0000 0000 00 0.2 00 0000 0000 00000000.
- 0000 00/ 00/ 00 0 0 00000.
- EN 558-1, ISO 5752 0 EN 1092-2, ISO 7005-2 0000 0000 000000.

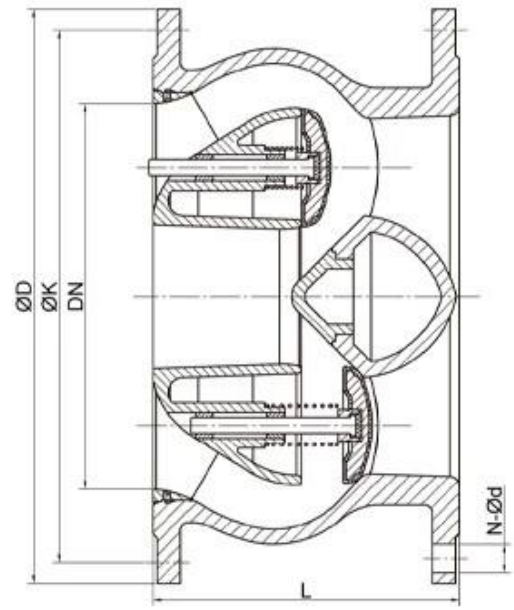


- Streamlined, minimum noise
- Backflow velocity only 0.2s, Head loss 0.1bar with 2m/s
- EPDM/NBR Rubber fully coated disc
- Anti-erosion design. Self-adjusting ball
- Self-cleaning stem, Long time smooth operation

00	DN50 -DN600 (NPS2 -NPS24)
00 00	PN10/16/25
00 00	0 °C ~+80 °C
0	00 0, 000000 00
00	00 00
0000 00	GB/T 12235-2007
0 00	en 558-1
0000	EN 1092-2



NPS2-NPS14 (DN50-DN350)



NPS16-NPS24 (DN400-DN600)



## COMPANY INFORMATION



i 0000 00 : 00 00 00, 00 0 00 00 00.

CNC 00 00, 00 00 0, 0000 00 00, 00 00 00 0 00.

■ 00 00 00 000 000 000000 000 00 00 00.

000 0000 000 0000 00 00 000 000000.

v 00 00 : GB, 00 00, 00 00, TUV CE, ISO 9001, ADWO-2000, TS, PED, WRC WRAS, KTW, API 6D, API609.

VI 00 0000 : 00 00, 0 00, 000 00, 00 00, 000 00, 000 00, 00 / 00 / 00 00000, 00 00.

# COMPANY FACTORY



01

21 years of professional experience

03

Independent research and development team  
28 top senior professional researchers

05

100% high level ex-factory inspection

07

2 years quality assurance, repair and replacement

4 factories

02

2 professional testing centers

04

High quality imported materials

06

# COMPANY QUALIFICATION



# COMPANY EXHIBITION



## Partners



□□□□ □□

**Q :** □□□ □□□ □□ □□ □□□□□□?

**A :** □□□ □□, □□, □□, □□, □□ □□□.

**Q :** □□□□□□ □□ □ □ □□□□?

**A :** □□, □□, hrdraulic, □□□□□□ □□.RKSfluid □□□□□□ □□ □□□ □□□□□□.□□□□ □□□ □□ □□ □□□□ □ □□□□.

**Q :** □□ □□□ □□□□□?

**A :** RKSfluid□□ □□□ □□□ □□ □ □□□ 4 □□ □□□□ □□□□□.

**Q :** 鋼 鋼 鋼

A : 鋼 鋼 2 ~ 5 鋼 鋼 鋼 鋼.鋼 鋼 鋼 鋼 鋼.

**Q : MOQ**

A : 鋼 鋼 鋼 1pc.

**Q :** 鋼 鋼 鋼 鋼?

A : 鋼 鋼 100% 鋼 鋼, 2 鋼 鋼.鋼 鋼 鋼 鋼.

鋼 鋼 TUV, API, WRA, CE, ISO 鋼 鋼.

鋼 鋼 DIN, ASME, BS EN, JIS, API, AWWA 鋼 鋼.

**Q :** 鋼 鋼 鋼 鋼 鋼 鋼 鋼?

A : RKSfluid 鋼 鋼 20 鋼 鋼 70 鋼 鋼 R & D 鋼 鋼 鋼 鋼, 鋼 鋼 鋼 鋼 鋼 鋼.