

RKSfluid®

A key Valve in Flow Control



Butterfly Valve

Ball Valve

Gate Valve

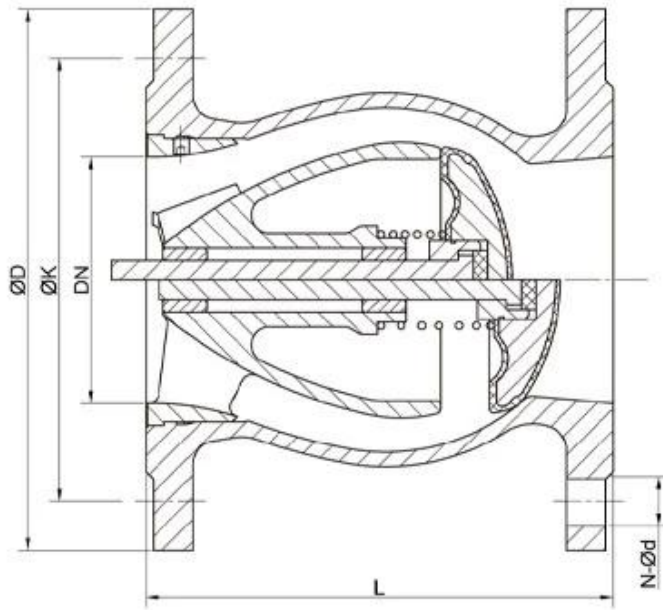
Globe Valve

Check Valve

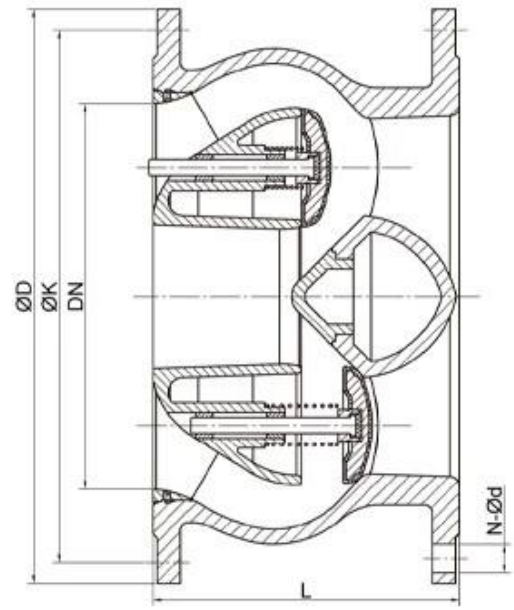
Pipe Fittings



- Streamlined, minimum noise
- Backflow velocity only 0.2s, Head loss 0.1bar with 2m/s
- EPDM/NBR Rubber fully coated disc
- Anti-erosion design, Self-adjusting ball
- Self-cleaning stem, Long time smooth operation



NPS2-NPS14 (DN50-DN350)



NPS16-NPS24 (DN400-DN600)

Name	Material
Body	DIN EN 1563-GJS-500-7
Disc	DIN EN 1563-GJS-500-7+EPDM
Spring	AISI 304
O-ring	NBR
Stem	AISI 304
Washer	EPDM
Nut	AISI 304
Bushes	ASTM B150-B150M C61900
Flow Guide	DIN EN1563-GJS-500-7
Screw	A2

Specification

Size	NPS2-NPS24(DN50-DN600)
Pressure	PN10 PN16 PN25
Medium	Fresh water
Temperature	0°C~70°C

Engineering Projects



Partners



Company Advantages

01

21 years of professional experience

03

Independent research and development team
28 top senior professional researchers

05

100% high level ex-factory inspection

07

2 years quality assurance, repair and replacement

4 factories

02

2 professional testing centers

04

High quality imported materials

06

COMPANY INFORMATION



□ □ □ □ : □ □ □ □ □ □, □ □ □ □ □ □ □ □.

□ □□ CNC □□□ □□, □□ □□ □, □□ □□ □□ □□, □□ □□ □□ □ □□.

□ □□□ □□ □□ □□□ □□ □□ □□ □□ □□□□□□.

▣ □□□ □□□ □ □□□ (Houston)□ □□ □□ □□□ □□□□□□.

◆ □□ □□ : GB, □□ □□, □□ □□, TUV CE, ISO 9001, ADWO-2000, TS, PED, WRC WRAS, KTW, API 6D, API609.

VI □□ □□ : □□ □□□ □□, □ □□, □□□ □□, □□ □□, □□□ □□, □□□ □□, □□ / □□ / □□ □□□□□, □□ □□.

Exhibition Photos



Our Certificates



□□□□ □□

Q : □□□□ □□□□ □□ □□□ □□□□□?

A : □□□ □□, □□, □□, □□, □□ □□□.

Q : □□□□□□ □□ □ □□□□?

A : □□□, □□, □□, □□□□□ □□. RKSfluid □□□□□□ □□ □□□ □□□□□. □□□ □□□□□, □□ □□□□□□.

Q : □□□ □□ □□□ □□□□□?

A : RKSfluid□□ □□□ □□□ □□ □ □□□ 4 □□ □□□ □□□□.

Q : □□ □□ □□

A : □□□□ □□□ 2 ~ 5 □ (2 ~ 5 □)□ □□□□. □□□□ □□□ □□ □□□ □□ □ □□.

Q : MOQ.

A : □□ □□□ □□ 1pc.

Q : □□ □□□ □□□□□?

A : □□ □□ 100 % □□ □□□, 2 □ □□. □□□□ □□□□ □□□□□.

□□□ TUV, API, WRAS, CE, ISO □□□□ □□□□□□.

□□, DIN, ASME, BS EN, JIS, API, AWWA.

Q : □□□□ □□□ □□□□ □□ □ □□□□?

A : RKSfluid 20 70 R & D ,