



# RKSfluid®

A key Valve in Flow Control



Butterfly Valve



Ball Valve



Gate Valve



Globe Valve



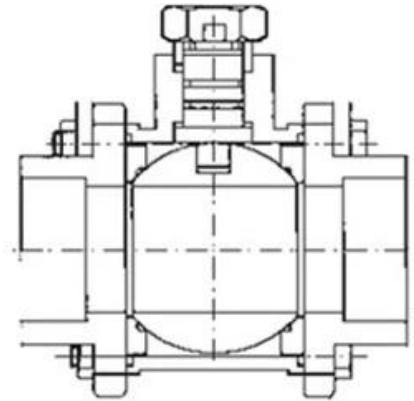
Check Valve



Pipe Fittings



- As primary sealing, thrust bearing & thrust washer enable reduce torque and prevent seizing
- Saddle lock gasket prevent nut loosening under frequent on-off
- Compact sealing structure, easy maintenance
- Blow-out proof stem



## Engineering Projects



## Partners



PTFE lined butterfly valve



Resilient seat butterfly valve



Double offset butterfly valve



Triple offset butterfly valve



Ball valve



Pipe fittings

# Our Factory



## Company Advantages

01

21 years of professional experience

03

Independent research and development team  
28 top senior professional researchers

05

100% high level ex-factory inspection

07

2 years quality assurance, repair and replacement

4 factories

02

2 professional testing centers

04

High quality imported materials

06



II 10000 : 10000 10000, 10000 10000 10000.

III 10000 CNC 10000 10000, 10000 10000, 10000 10000, 10000 10000 10000.

IV 10000 10000 10000, 10000 10000 10000 10000 10000.

V 10000 10000 10000 10000 10000 10000.

VI 10000 : GB, 10000 10000, 10000 10000, TUV CE, ISO 9001, ADWO-2000, TS, PED, WRC WRAS, KTW, API 6D, API609.

VII, 10000 10000 : 10000 10000, 10000 10000, 10000 10000, 10000 10000, 10000 10000, 10000 10000, 10000 / 10000 / 10000 10000, 10000 10000.

## Exhibition Photos



# Our Certificates



□□□□ □□

Q : □□□ □□□□ □□ □□□ □□□□□?

A : □□ □□, □□, □□, □□, □□ □□□.

Q : □□□□□□ □□ □ □□□□? □ □□?

A : □□, □□, □□, □□□□□ □□. RKSfluid □□□□□□ □□ □□□ □□□□□. □□□ □□ □□□ □ □□□□.

Q : □□ □□□ □□□□□?

A : RKSfluid□□ □ □□ □□□□□ □□□ □□□ □□ □ □□□□□.

Q : □□ □□ □□

A : □□ □□□ □□ □□□□ □□□ □□ 2 ~ 5 □□ □□□□□. □□□ □□□ □□ □□□

Q : MOQ

A : □□ □□□ 1pc□□□□.

Q : □□ □□□ □□□□□?

□□ : □□ □□ 100 % □□ □□, 2 □ □□. □□□□ □□□□ □□□□□ □□□□□□.

□□□□ □□□□ □□□□ □□□□□□.

□ □□□□ □□□□ □□□□ □□□□□□.

Q : 2023 年 10 月 1 日 起 實施 嗎?

A : RKSfluid 20 年 來 均 符合 70 年 前 R & D 所 制定 之 標準, 故 仍 可 繼續 使用。