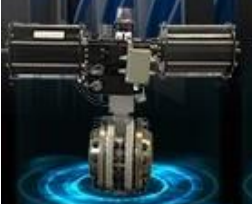




RKSfluid®

A key Valve in Flow Control



Butterfly Valve



Ball Valve



Gate Valve



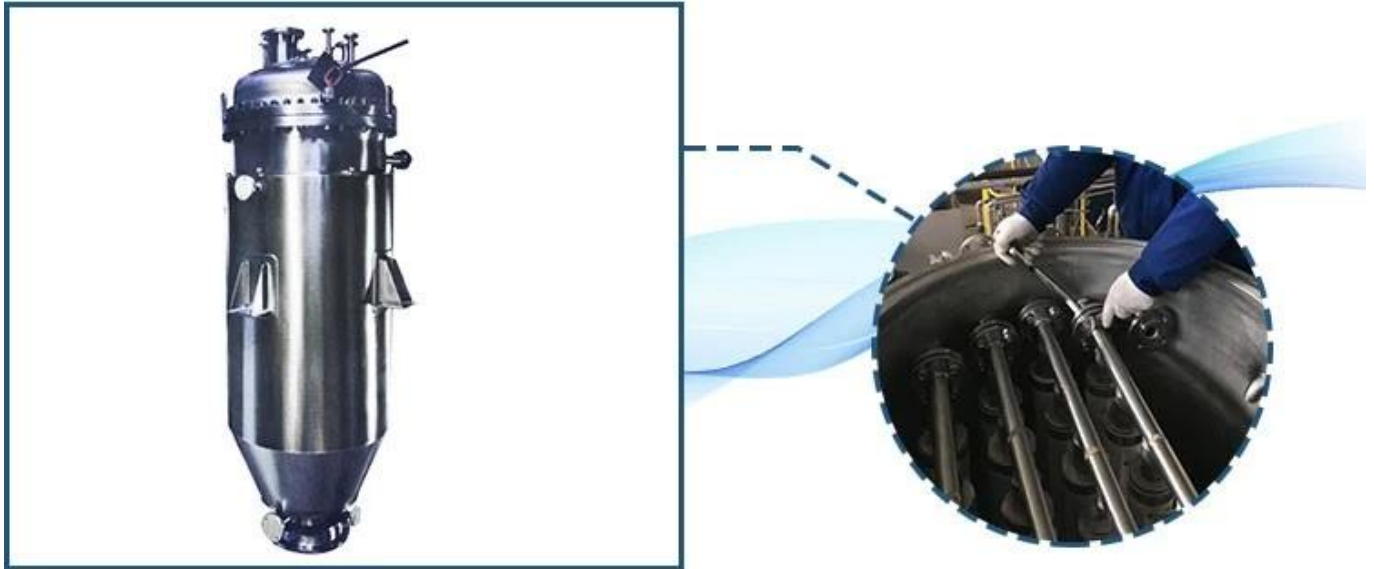
Globe Valve



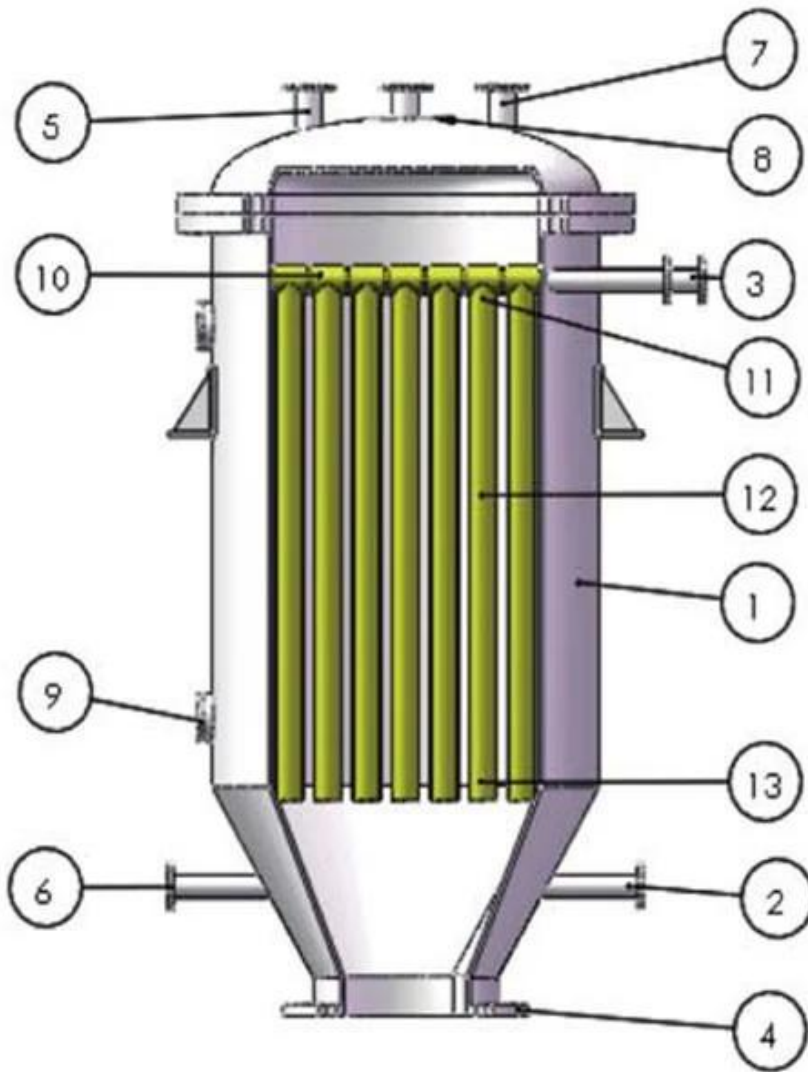
Check Valve



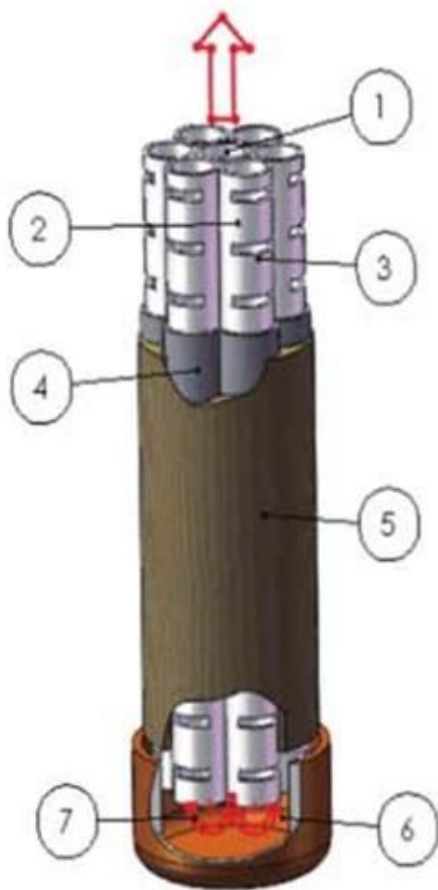
Pipe Fittings



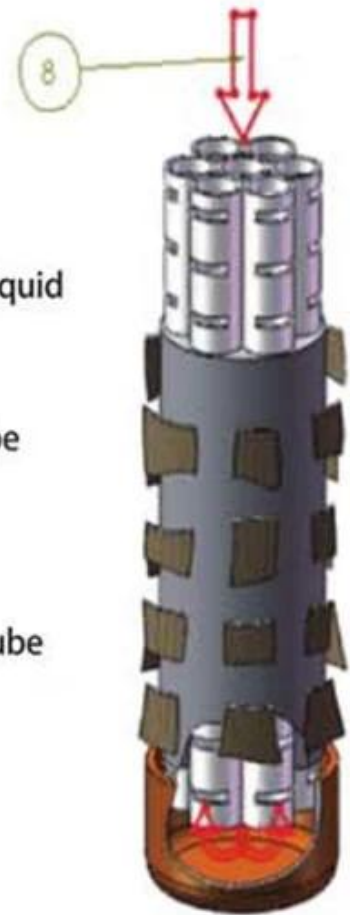
- Intelligent system, fully automatic sealing operation
- Seal zero leakage, unique structure easy for back flushing
- High efficiency by purified gas back washing
- High impurity content of filtration 0.1% ~ 50%
- Removable, porous wick, easy to replace, clean and maintain
- Designed for high production standard. Such as non-polluting food, biological products, medicine, fine chemistry, etc.



- 1, Pressure Vessel
- 2, Outlet
- 3, Outlet of clear liquid
- 4, Deslagging Port
- 5, Vent & Overflow port
- 6, Feed port
- 7, Connection port of instruments
- 8, Standby Port
- 9, Viewport
- 10, Liquid collection tube
- 11, Filtration unit
- 12, Filtration medium
- 13, Clamp for fixed the filter element



1. Central tube & Clear liquid collection tube
2. Filtration tube
3. A hole of filtration tube
4. Filtration medium
5. Filter cake
6. Collection chamber (connect the centre tube and filtration tube)
7. Clear liquid
8. Backflush gas



Our Factory



Company Advantages

01

21 years of professional experience

03

Independent research and development team
28 top senior professional researchers

05

100% high level ex-factory inspection

07

2 years quality assurance, repair and replacement

4 factories

02

2 professional testing centers

04

High quality imported materials

06



1. 21 years of professional experience, independent research and development team, 28 top senior professional researchers, PP, PE, PVC, HDPE, LLDPE, 100% high level ex-factory inspection, 2 years quality assurance, repair and replacement.
2. 4 factories, 2 professional testing centers.
3. API, AWWA, ASME, BS EN, DIN, JIS, TUV, CE, ISO9001, TS, OHSAS, WRAS.
4. High quality imported materials, R & D team.

Exhibition Photos



Our Certificates





Tel: 024 2318 0188-899

Email/Skype: ivory@rksfluid.com

Mobile/WhatsApp/Wechat: +86 15140071761

Add: Pump & Valve Industrial Park, No. 5 Panwu Road, LiaoZhong Dist. Shenyang, Liaoning P.R. China

□□□□ □□

Q1 : □□□ □□□ □□ □ □□□□?

A1 : □□□ □□, □□, □□□ □□□□□.

Q2 : □□ □□ □□□□□?

A2 : □□□ □□ 5-10 □, □□ □□□ 15-90 □ □□□ □□.

Q3 : □□ □□ □□□□□?

A3 : T / T 30 % □□, □□□□ □□ □□□ □□ □ □□ □□. □□ □□ □□□.

Q4 : MOQ မှာ မည်သို့ရှိပါသလဲ? မည်သည့်အရာကို အခြေခံပါသလဲ?

A4 : 1pc မှစ၍ အခြေခံပါသည်။ အခြားအရာများကို အခြေခံပါသည်။

Q5 : အခြားအရာများကို မည်သို့အခြေခံပါသလဲ?

A5 : 100% အခြေခံပါသည်။

Q6 : အခြားအရာများကို မည်သို့အခြေခံပါသလဲ?

A6 : 100% အခြေခံပါသည်။ အခြားအရာများကို အခြေခံပါသည်။

Q7 : အခြားအရာများကို မည်သို့အခြေခံပါသလဲ?

A7 : 1 နှစ်အတွက် အခြေခံပါသည်။