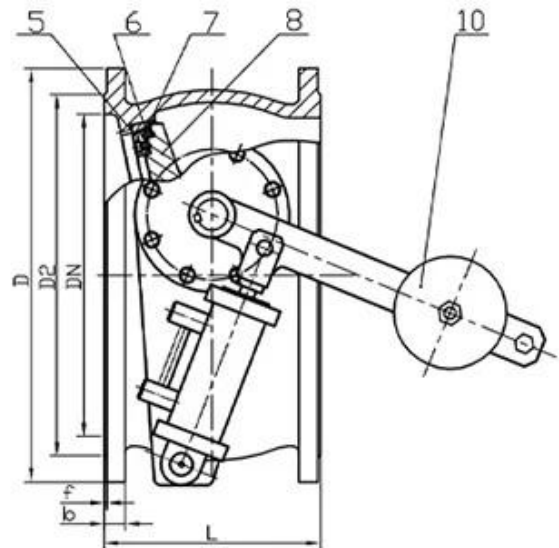
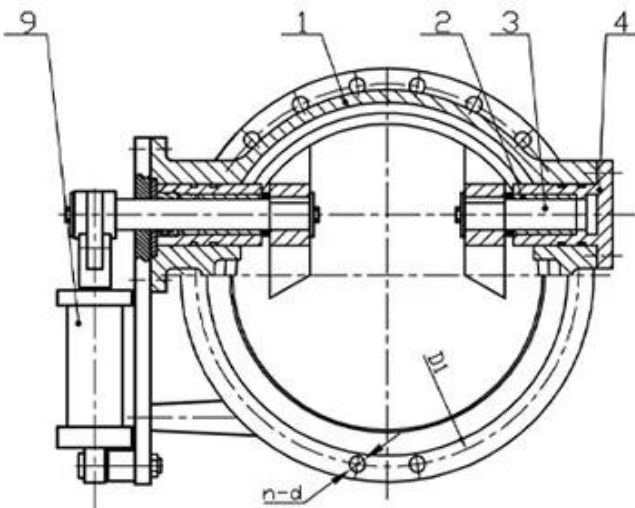


PRODUCT STRUCTURE

Features

- Size range DN100-1200mm
- Standard-ISO/ BS/DIN /AWWA/API
- Tests standard-BS EN 12266-1
- Body-Ductile Iron/Cast Iron/Stainless Steel/WCB
- Body Ring-SS420/SS304/SS316
- Disc Ring-EPDM
- Shaft-420/S5431/SS316
- Fusion bonded epoxy coating- Min 300 Microns

This series tilting check valves are suitable to be used at the exit of the pump whose medium is water. It is used to prevent or reduce medium back from water hammer. So it can protect the pipeline system. Suitable temperature $\leq 80^{\circ}\text{C}$



APPLICATION SCENARIO



Industrial water application



Power plant



Sea water desalination



Water treatment



Water supply and drainage



HAVC



Food and drug



Water transport



COMPANY FACTORY



i 0000 00 : 00 00 00, 00 0 00 00 00.

CNC 00 00, 00 00 0, 0000 00 00, 00 00 00 0 00.

■ 00 00 00 000 000 000000 000 00 00 00.

000 0000 000 0000 00 00 000 000000.

v 00 00 : GB, 00 00, 00 00, TUV CE, ISO 9001, ADWO-2000, TS, PED, WRC WRA, KTW, API 6D, API609.

VI 00 0000 : 00 00, 0 00, 000 00, 00 00, 000 00, 000 00, 00 / 00 / 00 00000, 00 00.

COMPANY INFORMATION



COMPANY QUALIFICATION



COMPANY EXHIBITION



Partners



□□□□ □□

Q : □□□ □□□ □□ □□ □□□□□□?

A : □□□ □□, □□, □□, □□, □□ □□□.

Q : □□□□□□ □□ □ □ □□□□?

A : □□, □□, hrdraulic, □□□□□ □□.RKSfluid □□□□□□ □□ □□□ □□□□□.□□□ □□□ □□ □□ □□□□ □ □□□□.

Q : □□ □□□ □□□□□□?

A : RKSfluid 100% 鋼製 鋼製 鋼製 鋼製 鋼製 4 鋼製 鋼製 鋼製。

Q : 鋼製 鋼製 鋼製

A : 鋼製 鋼製 2 ~ 5 鋼製 鋼製 鋼製。鋼製 鋼製 鋼製 鋼製 鋼製。

Q : MOQ

A : 鋼製 鋼製 鋼製 1pc.

Q : 鋼製 鋼製 鋼製 鋼製?

A : 鋼製 鋼製 100% 鋼製 鋼製, 2 鋼製 鋼製。鋼製 鋼製 鋼製 鋼製。

TUV, API, WRA, CE, ISO 鋼製 鋼製。

鋼製 DIN, ASME, BS EN, JIS, API, AWWA 鋼製。

Q : 鋼製 鋼製 鋼製 鋼製 鋼製 鋼製?

A : RKSfluid 鋼製 20 鋼製 70 鋼製 R & D 鋼製 鋼製 鋼製 鋼製 鋼製 鋼製。