



# RKSfluid®

A key Valve in Flow Control



Butterfly Valve



Ball Valve



Gate Valve



Globe Valve

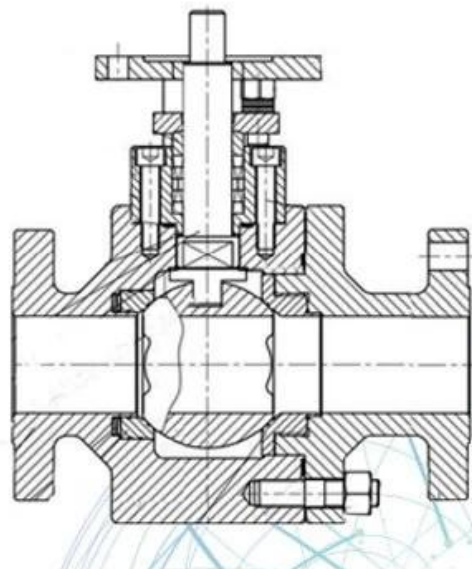
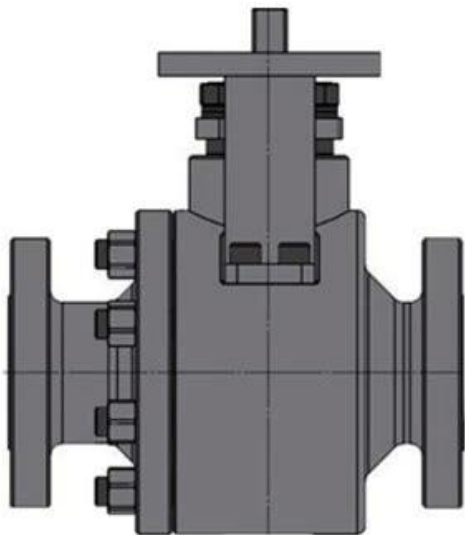
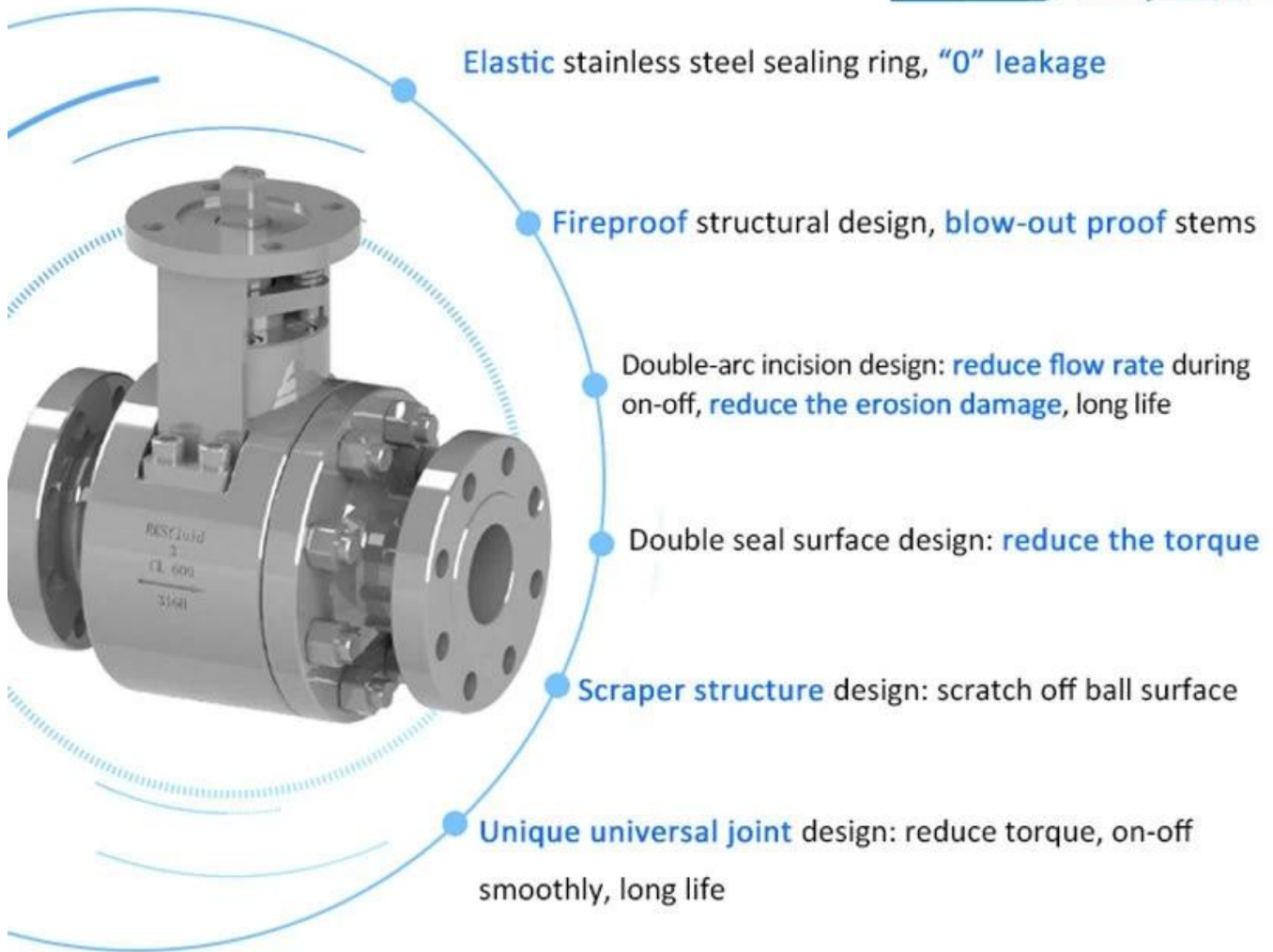


Check Valve



Pipe Fittings

## DESIGN FEATURES





# APPLICATION SCENARIO



Industrial water application



Power plant



Petroleum



Steel



Wastewater treatment



Acid-base



Healing drugs



Refined coal



# Our Factory





## Company Advantages

01

21 years of professional experience

03

Independent research and development team  
28 top senior professional researchers

05

100% high level ex-factory inspection

07

2 years quality assurance, repair and replacement

4 factories

02

2 professional testing centers

04

High quality imported materials

06



I 100% professional experience, 21 years of professional experience.

II CNC machine tools, independent R&D team, 28 top senior professional researchers.

III 100% high level ex-factory inspection, 2 years quality assurance, repair and replacement.

IV High quality imported materials, 2 professional testing centers.

V Certifications: GB, ISO 9001, TUV CE, ADWO-2000, TS, PED, WRC WRAS, KTW, API 6D, API609.



VI ảnh ảnh : ảnh ảnh ảnh, ảnh ảnh, ảnh ảnh, ảnh ảnh, ảnh ảnh, ảnh ảnh, ảnh / ảnh / ảnh ảnh ảnh, ảnh ảnh.

## Exhibition Photos



## Our Certificates



□□□□ □□

Q : □□□ □□□□ □□ □□□ □□□□□?

A : □□□ □□, □□, □□, □□, Application System.

Q : □□□□□□ □□ □ □□□□?

A : □□□, □□□, □□□, □□□□□ □□. RKSfluid □□□□□□ □□ □□□ □□□□□. □□□ □□ □□□ □□□□□.

Q : □□□ □□ □□□ □□□□□?

A : RKSfluid□□ □□□ □□□ □□ □ □□□ 4 □□ □□□ □□□□□.

Q : □□ □□ □□

A : □□ □□□ 2 ~ 5 □ □□ □□□ □□□□□. □□□ □□□ □□ □□□ □ □□.

Q : MOQ

A : □□ □□□ □□ 1pc.

Q : □□ □□□ □□□□□?

□□ : □□ □□ 100 % □□ □□□, 2 □ □□. □□□ □□ □□□ □□□□□□□.

□□□ TUV, API, WRAS, CE, ISO □□□ □□□□□□.

□□□ DIN, ASME, BS EN, JIS, API, AWWA□ □□□□□□.

Q : □□□□ □□□ □□□□ □□□□□□□□□?

A : RKSfluid □□□ 20 □□ □□□ 70 □ □□□ R & D □□□□□ □□ □□, □□ □□ □ □□ □□□ □□□□□□.