



# RKSfluid®

A key Valve in Flow Control



Butterfly Valve



Ball Valve



Gate Valve



Globe Valve

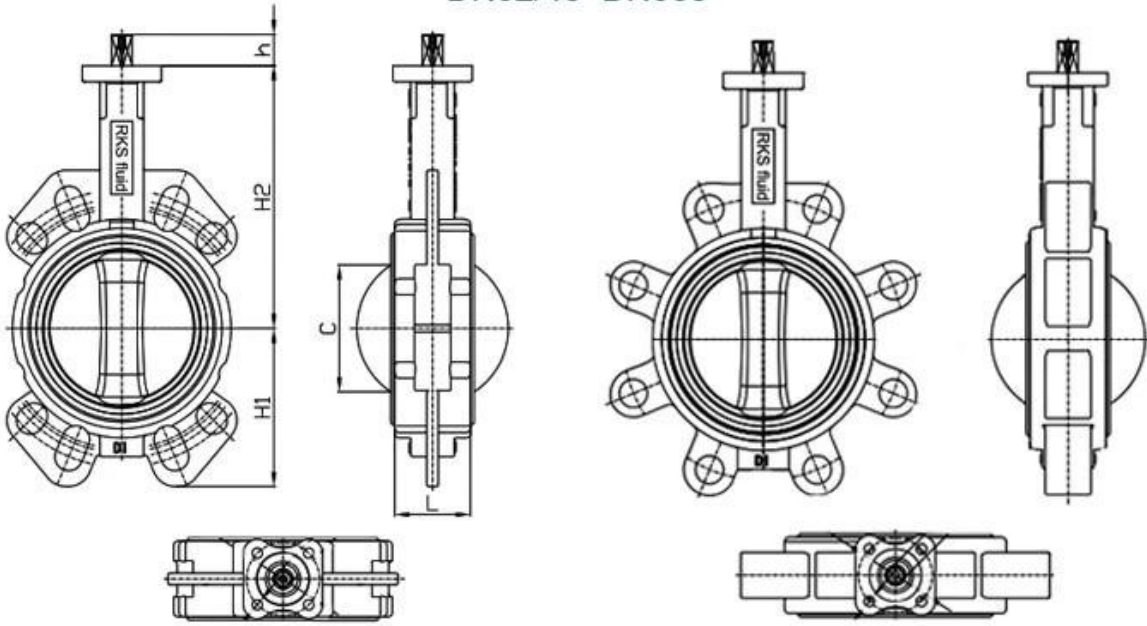


Check Valve

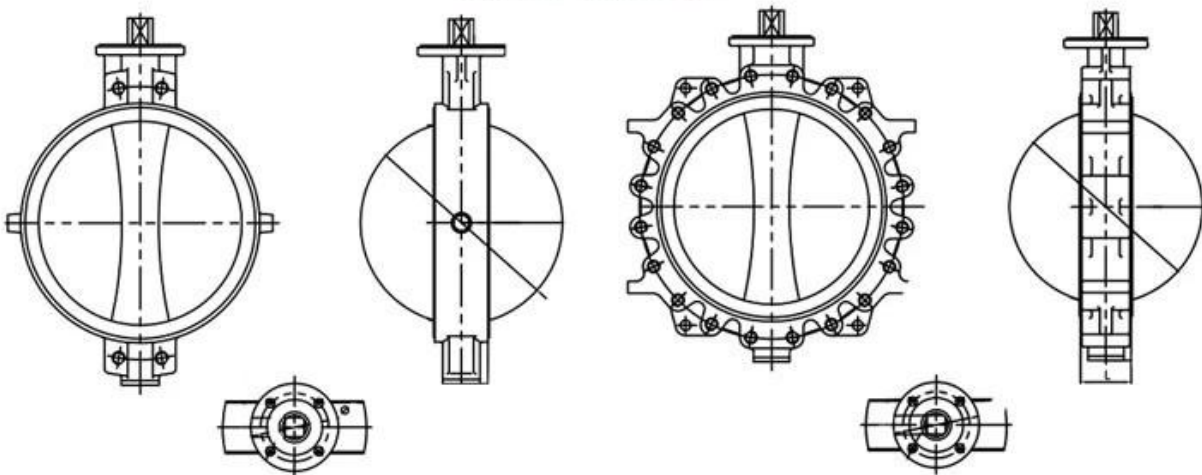


Pipe Fittings

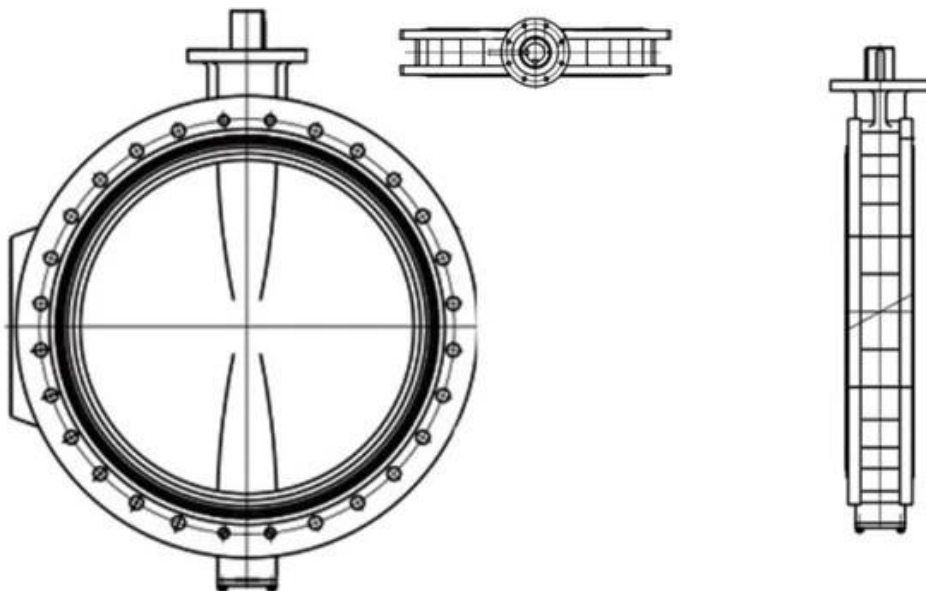
DN32/40~DN300



DN350~DN1000



DN500~DN2400




## DESIGN FEATURES

### DURABLE

- No-pin connection, 1 pc blow-out proof stem
- DI/CI Nodularity over 95%

### ANTI-CORROSION

- Material: Epoxy powder:  , Earth Best!
- Coating Thickness: **200-250µm**
- Spraying temp: over **200°C**. Doesn't fade, even wipe with diethyl ether

### QUALITY STANDARD

- **100% quality test**, follow DIN, ASTM, JIS, GB/T, ISO, BS EN, API
- **ONLY ONE** Manufacturer get **CE** certification up to **DN1800**
- **2 years** warranty. **15000** times On-off test, **30000** times Destructive experiment



# APPLICATION SCENARIO



Industrial water application



Power plant



Sea water desalination



Water treatment



Water supply and drainage



HAVC



Food and drug



Water transport





# Our Factory



## Company Advantages

01

21 years of professional experience

03

Independent research and development team  
28 top senior professional researchers

05

100% high level ex-factory inspection

07

2 years quality assurance, repair and replacement

4 factories

02

2 professional testing centers

04

High quality imported materials

06

# Exhibition Photos



# Our Certificates



□□□□ □□

Q : □□□□ □□□□ □□ □□ □□□□?

A : □□□□ □□, □□, □□, □□, □□ □□□.

Q : □□□□□□ □□ □ □ □□□□?

A : □□□, □□, □□, □□□□□□ □□. RKSfluid □□□□□□ □□ □□□ □□□□□□. □□□□ □□□□□□, □□ □□□□ □□□□□□□□.

Q : □□□ □□□ □□□□□?

A : RKSfluid□□ □□□ □□□ □□ □ □□□□ 4 □□ □□□ □□□□□.

Q : □□ □□ □□

A : □□□□ □□□□ 2 ~ 5 □ (□□□□ □□)□ □□□ □□□□□□. □□□□ □□□□ □□ □□ □□.

Q : MOQ.

A : 1pc.

Q : 100% inspection?

A : 100% inspection, 2 weeks. 100% inspection.

100% TUV, API, WRAS, CE, ISO 9001.

100% DIN, ASME, BS EN, JIS, API, AWWA.

Q : 100% inspection?

A : RKSfluid 20 years R & D, 100% inspection.