



RKSfluid®

A key Valve in Flow Control




Butterfly Valve



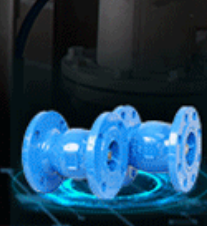
Ball Valve



Gate Valve



Globe Valve



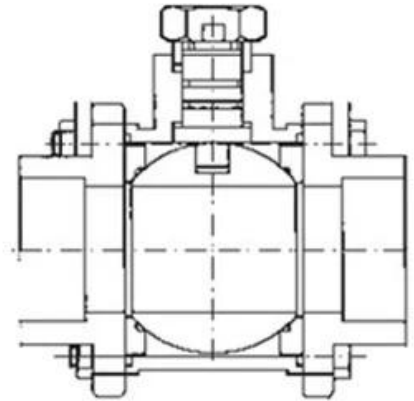
Check Valve



Pipe Fittings



- As primary sealing, thrust bearing & thrust washer enable reduce torque and prevent seizing
- Saddle lock gasket prevent nut loosening under frequent on-off
- Compact sealing structure, easy maintenance
- Blow-out proof stem



Engineering Projects



Partners



PTFE lined butterfly valve



Resilient seat butterfly valve



Double offset butterfly valve



Triple offset butterfly valve



Ball valve



Pipe fittings

Our Factory



Company Advantages

01

21 years of professional experience

03

Independent research and development team
28 top senior professional researchers

05

100% high level ex-factory inspection

07

2 years quality assurance, repair and replacement

4 factories

02

2 professional testing centers

04

High quality imported materials

06



II 10000 : 10000 10000, 10000 10000 10000.

III 10000 CNC 10000 10000, 10000 10000, 10000 10000, 10000 10000 10000.

IV 10000 10000 10000, 10000 10000 10000 10000 10000.

V 10000 10000 10000 10000 10000 10000.

VI 10000 : GB, 10000 10000, 10000 10000, TUV CE, ISO 9001, ADWO-2000, TS, PED, WRC WRAS, KTW, API 6D, API609.

VII, 10000 10000 : 10000 10000, 10000 10000, 10000 10000, 10000 10000, 10000 10000, 10000 10000, 10000 / 10000 / 10000 10000, 10000 10000.

Exhibition Photos



Our Certificates



□□□□ □□

Q : □□□ □□□□ □□ □□□ □□□□□?

A : □□ □□, □□, □□, □□, □□ □□□.

Q : □□□□□□ □□ □ □□□□? □ □□?

A : □□, □□, □□, □□□□□ □□. RKSfluid □□□□□□ □□ □□□ □□□□□. □□□ □□ □□□ □ □□□□.

Q : □□ □□□ □□□□□?

A : RKSfluid□□ □ □□ □□□□□ □□□ □□□ □□ □ □□□□□.

Q : □□ □□ □□

A : □□ □□□ □□ □□□□ □□□ □□ 2 ~ 5 □□ □□□□□. □□□ □□□ □□ □□□

Q : MOQ

A : □□ □□□ 1pc□□□□.

Q : □□ □□□ □□□□□?

□□ : □□ □□ 100 % □□ □□, 2 □ □□. □□□□ □□□□ □□□□□ □□□□□□.

□□□□ TUV, API, WRAS, CE, ISO □□□ □□□□□□□.

□ □□□□ DIN, ASME, BS EN, JIS, API, AWWA□ □□□□□□.

Q : 2014 年 12 月 31 日 止 的 業 務 概 況 ？

A : RKSfluid 20 年 來 一 直 在 研 究 70 年 來 的 R & D 成 果 的 應 用 ， 而 且 在 2014 年 度 也 有 所 展 示 。