



# RKSfluid®

A key Valve in Flow Control



Butterfly Valve



Ball Valve



Gate Valve



Globe Valve



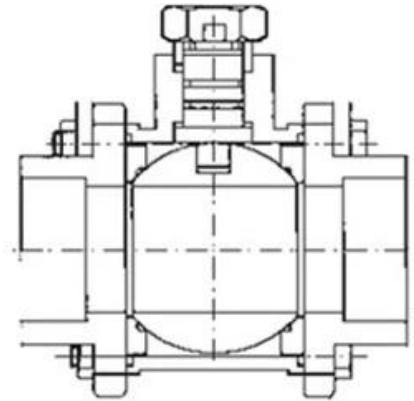
Check Valve



Pipe Fittings



- As primary sealing, thrust bearing & thrust washer enable reduce torque and prevent seizing
- Saddle lock gasket prevent nut loosening under frequent on-off
- Compact sealing structure, easy maintenance
- Blow-out proof stem



## Engineering Projects



## Partners



PTFE lined butterfly valve



Resilient seat butterfly valve



Double offset butterfly valve



Triple offset butterfly valve



Ball valve



Pipe fittings

# Our Factory



## Company Advantages

01

21 years of professional experience

03

Independent research and development team  
28 top senior professional researchers

05

100% high level ex-factory inspection

07

2 years quality assurance, repair and replacement

4 factories

02

2 professional testing centers

04

High quality imported materials

06



I business areas: fluid control products, technology and environmentally friendly products.

II Advanced CNC machining center, professional process unit, welding equipment, automatic assembly line and coating.

III China Standard Reference Unit, participating in the formulation of relevant valve industry standards.

IV We have established a research and development center in Houston, Texas, USA.

V product standards: GB, German standards, US standards, TUV CE, ISO 9001, ADWO-2000, TS, PED, WRC WRAS, KTW, API 6D, API609.

Six, the main production: butterfly valve, ball valve, gate valve, check valve, globe valve, pipe fittings, manual / pneumatic / electric actuators, valve accessories.

## Exhibition Photos



## Our Certificates



## FAQ

Q: If I need a quote, what information do we need?

A: Valve material, temperature, pressure, medium, application system.

Q: Can you provide an actuator? What are you?

A: Pneumatic, electric, hydraulic, solenoid valves. The RKSfluid actuator uses US technology. You can tell us what you need.

Q: What is your production capacity?

A: There are four factories in RKSfluid that can provide the products you need.

Q: Production lead time

A: It takes 2~5 working days for ordinary products to be in stock. Customized according to your needs

Q: MOQ

A: All products are 1pc.

Q: How about quality assurance?

A: 100% quality inspection before delivery, 2 year warranty. Make sure your system is running safely.

We have obtained TUV, API, WRAS, CE, ISO certification.

The standard complies with DIN, ASME, BS EN, JIS, API, AWWA.

Q: How do you provide quality service to our customers?

A: RKSfluid has 20 years of experience and more than 70 R&D engineers provide technical support, model selection and installation instructions.