

It is using for pipeline systems need to provide a stable pressure to users.
The Model D20E Pressure Reducing Valve automatically reduces a higher inlet pressure to a stable lower outlet pressure, even if changing flow rate and/or varying inlet pressure.

Change of outlet pressure/change of inlet pressure <0.1

The setting pressure can be adjusted by adjusting the screw, and when there is no user using water at the outlet end, it is immediately closed to achieve hydrostatic sealing.

Regulation accuracy: +/-10%

Outlet pressure must higher than 1bar.

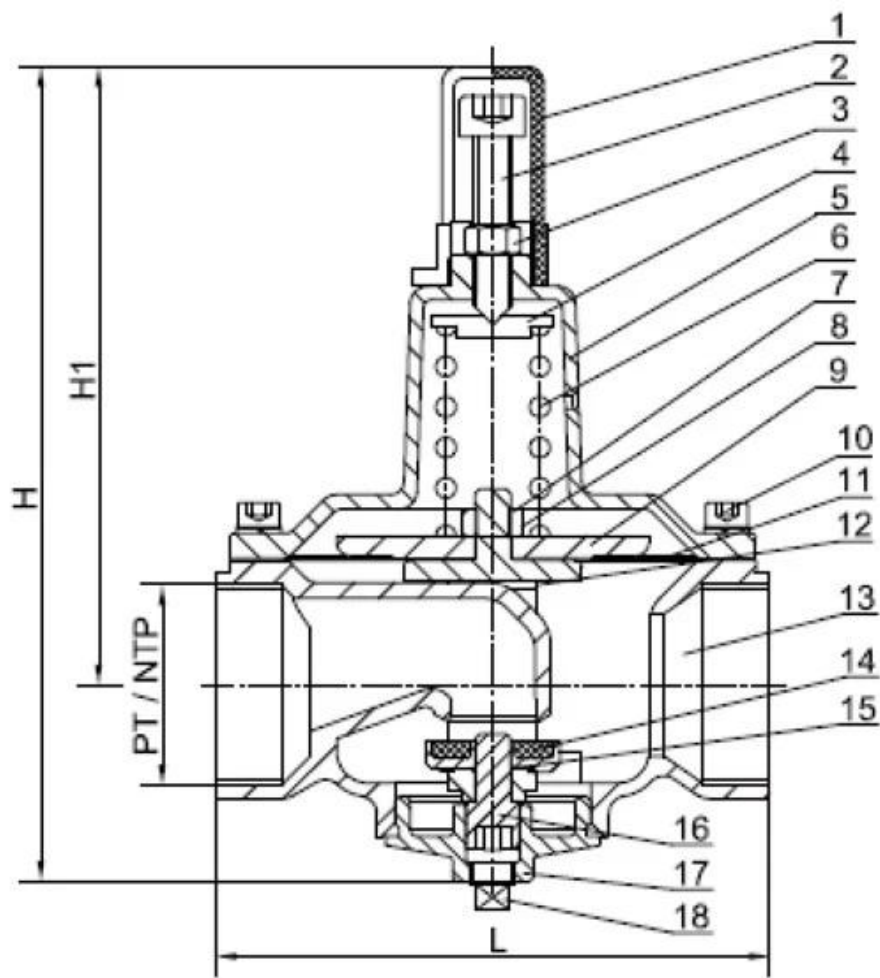
Size 1/2"-2" PN10/16/25

Outlet pressure range 1.5-7.0 bar

Material Option SUS304/SUS316/SAF2205/Bronze

Seals NBR/EPDM/HNBR

Product standard EN1567 ASSE 1003



COMPANY INFORMATION



I Business area: fluid control products, technology and environmental protection products.

II Advanced CNC machining centers, professional process cells, wide-range welding equipment, automatic assembly lines and coating.

III China's standard reference unit, to participate in the development of relevant valve industry standards.

IV We have set up a research and development center in Houston, Texas, in the United States.

V Product Standard: GB, German Standard, American Standard, TUV CE, ISO 9001, ADWO-2000, TS, PED, WRC WRAS, KTW, API 6D, API609.

VI Main production: butterfly valve, ball valve, gate valve, check valve, globe valves, pipe fittings, manual / pneumatic / electric actuator, valve parts.





COMPANY QUALIFICATION



COMPANY EXHIBITION



Partners



Delivery



Payment



FAQ

Q: If I need quotation, what informations do we need?

A: Valves' materials, Temperature, Pressure, Medium, Application System.

Q: Can you provide actuators, what you have?

A: Pneumatic, Electric, Hrdraulic, Solenoid Valves. RKSfluid actuators adopt USA technology. Which you need, just tell us.

Q: What's your productive capacity?

A: RKSfluid has four plants that can provide the products you need.

Q: Production lead time

A: Normal products have stock in 2-5 working days. Customized base on your need.

Q: MOQ

A: 1pc for all products.

Q: How about the quality assurance?

A: 100% quality test before delivery, 2 years warranty. Ensure your system working safety. We got TUV, API, WRAS, CE, ISO certification. Standard conform to DIN, ASME, BS EN, JIS, API, AWWA.

Q: How could you provide quality service to our customers?

A: RKSfluid own 27 years experiences and more than 70 R&D engineers provide technical support, model selection and installation guidance for you.