

Wafer dual plate check valves, have two springs loaded half-moon shaped discs that rotate around their shaft. They are designed to automatically prevent back-flow in systems where it is desirable to permit flow in one direction and prevent flow in the opposite direction.

I - Light weight, compact structure, easy maintenance.

II - The valve plate adopts clamp type, which can close automatically under the moment of elastic force of spring.

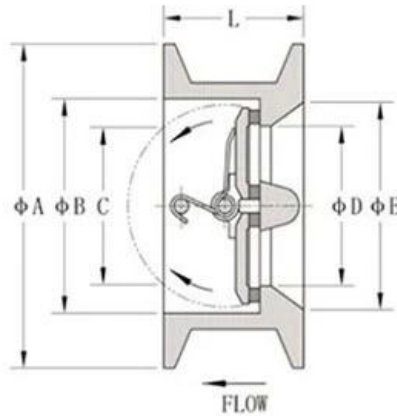
III - Because of the speed of closing action, can prevent the medium flow back.

IV - The valve body structure size is small, rigidity is good.

V - The valve can be safely and conveniently used for horizontal and vertical installation.

GENERAL APPLICATIONS

- Water Treatment
- HVAC
- Irrigation System
- Pumping
- Smart Water Control
- Power Station
- Desalination
- Food Industry
- Mining
- Petrochemical
- Coal Chemical Industry



DIMENSIONS

| DN | A | B | C | D | E | L | Weight |
|-----|-----|-----|-----|-----|-----|-----|--------|
| 40 | 92 | 65 | 49 | 48 | 59 | 43 | 0,8 |
| 50 | 107 | 65 | 49 | 48 | 59 | 43 | 1,3 |
| 65 | 127 | 80 | 63 | 60 | 78 | 46 | 1,6 |
| 80 | 142 | 94 | 69 | 70 | 91 | 64 | 2,8 |
| 100 | 162 | 117 | 97 | 88 | 110 | 64 | 4,0 |
| 125 | 192 | 145 | 121 | 115 | 142 | 70 | 5,5 |
| 150 | 218 | 170 | 145 | 134 | 170 | 76 | 8,0 |
| 200 | 273 | 224 | 197 | 182 | 222 | 89 | 13,5 |
| 250 | 328 | 265 | 234 | 223 | 264 | 114 | 24,4 |
| 300 | 378 | 310 | 284 | 260 | 310 | 114 | 33,0 |
| 350 | 438 | 360 | 333 | 300 | 360 | 127 | 46,3 |
| 400 | 489 | 410 | 379 | 355 | 414 | 140 | 62,0 |
| 450 | 539 | 450 | 415 | 382 | 450 | 152 | 100,0 |
| 500 | 594 | 505 | 472 | 435 | 505 | 152 | 107,0 |
| 600 | 695 | 624 | 579 | 536 | 605 | 178 | 158,0 |

COMPANY FACTORY



COMPANY INFORMATION



I Business area: fluid control products, technology and environmental protection products.

II Advanced CNC machining centers, professional process cells, wide-range welding equipment, automatic assembly lines and coating.

III China's standard reference unit, to participate in the development of relevant valve industry standards.

IV We have set up a research and development center in Houston, Texas, in the United States.

V Product Standard: GB, German Standard, American Standard, TUV CE, ISO 9001, ADWO-2000, TS, PED, WRC WRAS, KTW, API 6D, API609.

VI Main production: butterfly valve, ball valve, gate valve, check valve, globe valves, pipe fittings, manual / pneumatic / electric actuator, valve parts.

01

21 years of professional experience

03

Independent research and development team
28 top senior professional researchers

05

100% high level ex-factory inspection

07

2 years quality assurance, repair and replacement

4 factories

02

2 professional testing centers

04

High quality imported materials

06

COMPANY QUALIFICATION



COMPANY EXHIBITION



Partners



Delivery



Payment



FAQ:

Q: If I need quotation, what informations do we need?

A: Valves' materials, Temperature, Pressure, Medium, Appllication System.

Q: Can you provide actuators, what you have?

A: Pneumatic, Electric, Hrdraulic, Solenoid Valves. RKSfluid actuators adopt USA technology. Which you need, just tell us.

Q: What's your productive capacity?

A: RKSfluid has four plants that can provide the products you need.

Q: Production lead time

A: Normal products have stock in 2~5 working days. Customized base on your need.

Q: MOQ

A: 1pc for all products.

Q: How about the quality assurance?

A: 100% quality test before delivery, 2 years warranty. Ensure your system working safety.

We got TUV, API, WRAS, CE, ISO certification.

Standard conform to DIN, ASME, BS EN, JIS, API, AWWA.

Q: How could you provide quality service to our customers?

A: RKSfluid own 20 years experiences and more than 70 R&D engineers provide technical support, model selection and installation guidance for you.