

Features



Air Release valve

Size range:DN25–DN300

Pressure ratings:PN10 PN16

Body:Ductile Iron

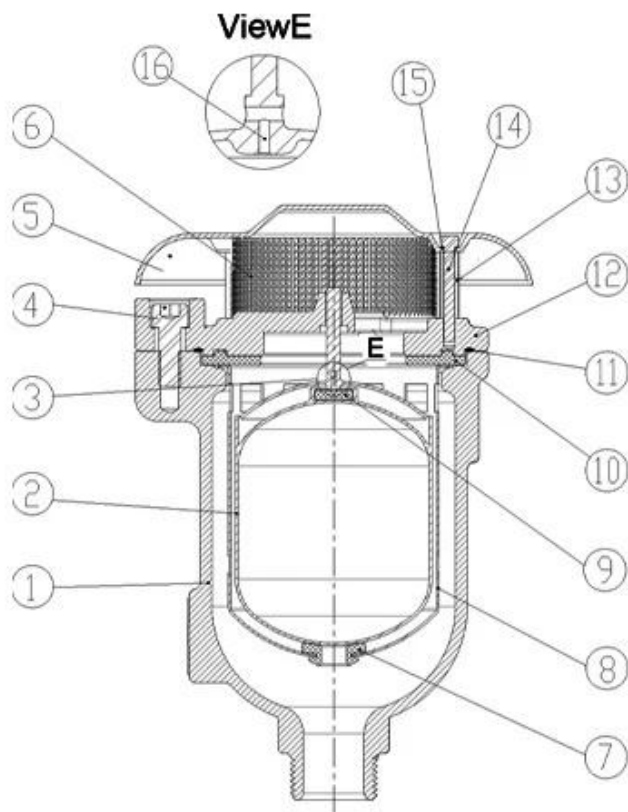
Trim:SS304 SS316 etc

Connection:ARVS/KARS–BPT threaded, KARX–Flanged

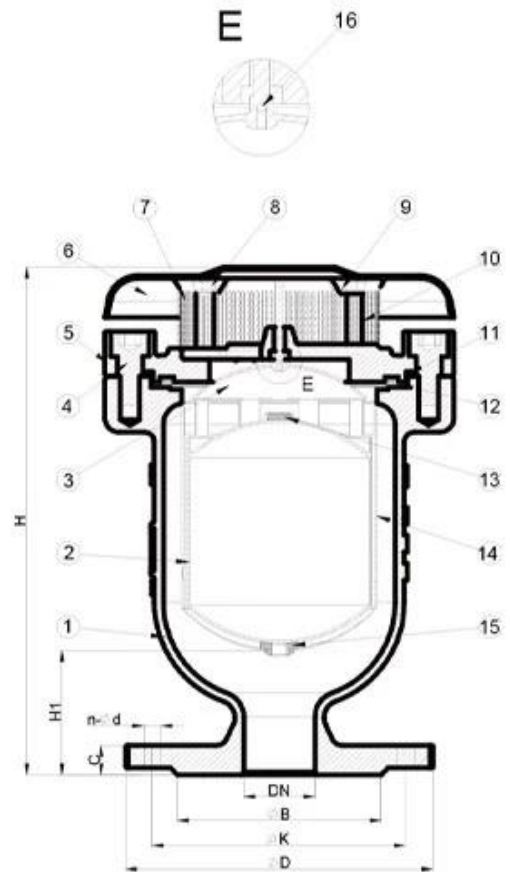
Working temperature: $-10^{\circ}\text{C}\sim+80^{\circ}\text{C}$

Description

1.Advanced design with simple mechanism, strong float to prevent cracking during sudden water hammer& quick closure. 2.Aerokinetic mechanism to resist blow shut under higher air velocity even up to sonic velocity of air. 3.Bottom rubber buffer for collision prevention, and drain easy with proper holes around the cage during vacuum. Outside screen will be an option for safety and prevent insects or birds in. 4.No arms or levers to prevent vibrating, bending, direct closure of the float.Smooth cage outside of the float, keep float moving in specified guide rail. 5.Comply with BS EN 1074-4



DN25-DN50



DN50-DN300





RKSfluid was founded in 1997. We are a production workshop for both foundry and machining, research & development center, and quality inspection center. The manufacturing facilities include CNC machining centers, professional processing cells, broad spectrum welding equipment, automatic assembling and coating lines. We have built a team for design, research & development. Our new testing center as a public service platform testing center in Liaoning Province, Become the standard GB of the Chinese valve reference unit, to participate in the development of the relevant valve industry standards. In order to accelerate the expansion of overseas business and resources integration, and to support the success of RKS fluid sales in the USA, German, Russia. We have US Agent. Our product design standards cover: GB, ISO, German and American Standard, approved by TUV for CE and ADWO- 2000, ISO9001, TS, API. Our products: Manual, Pneumatically & electrically operated Ball valves, Butterfly valves and Gate Valves. Check Valves, Automatic Control Valves. Castings and Fittings: Valve bodies, Bonnets, Discs, Stems, Gear Box, Universal Couplings, Flange Adaptors,

Tapping Saddles. After years of development, we continue to improve and seek out innovation while adhering to "Proven Technology, Superior Features and Legendary Value" as our product value philosophy. Customer satisfaction is our working goal!
I Business area: fluid control products, technology and environmental protection products.

II Advanced CNC machining centers, professional process cells, welding equipment, automatic assembly lines and coating.

III China's standard reference unit, to participate in the development of relevant valve industry standards.

IV We have set up a research and development center in Houston, Texas, in the United States.

V Product Standard: GB, German Standard, American Standard, TUV CE, ISO 9001, ADWO-2000, TS, PED, WRC WRAS, KTW, API 6D, API609.

VI Main production: butterfly valve, ball valve, gate valve, check valve, globe valves, pipe fittings, manual / pneumatic / electric actuator, valve parts.

Our Certificates



Exhibition Photos

