

Features



Air Release valve

Size range:DN25–DN300

Pressure ratings:PN10 PN16

Body:Ductile Iron

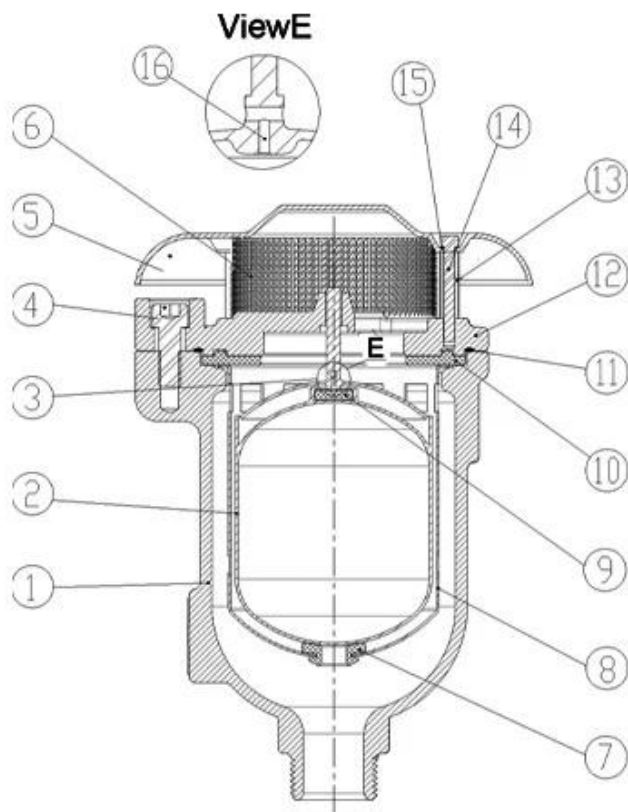
Trim:SS304 SS316 etc

Connection:ARVS/KARS–BPT threaded, KARX–Flanged

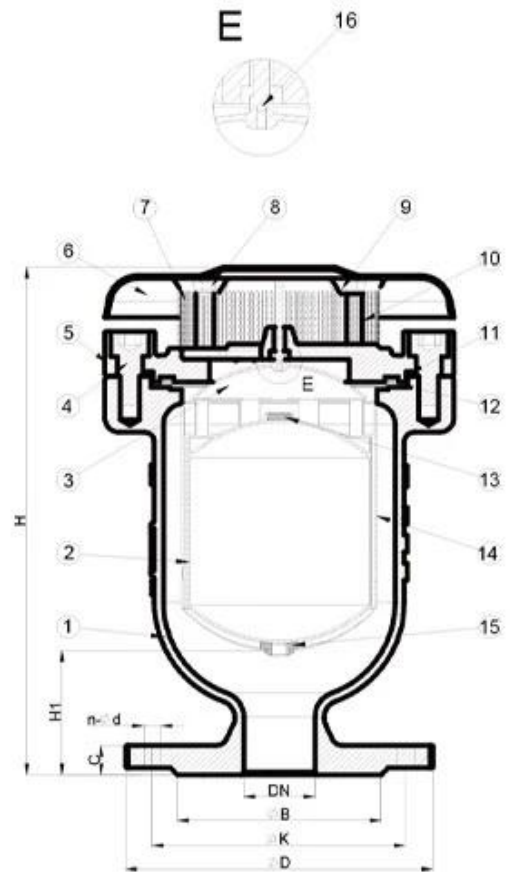
Working temperature: $-10^{\circ}\text{C}\sim+80^{\circ}\text{C}$

The description:

1. Advanced design with simple mechanism, strong float to prevent cracking during the sudden water hammer and quick closure. 2. Aerokinetics mechanism to resist the loss of the breath under a higher speed of air, even up to the sound speed of the air. 3. Basic rubber pad for collision prevention and easily drain with appropriate holes around the cage during the void. The outdoor screen will be an option for safety and prevent insects or birds. 4. No, arms or levers to avoid vibrations, flexion, direct closure of the float. 5. Comply with BS in 1074-4



DN25-DN50



DN50-DN300

Our Factory



RKSfluid was founded in 1997. We are a production workshop for the foundry and Center for machining, research and development and quality inspection center. The making Installations include CNC machining centers, professional treatment cells, a

wide spectrum

Welding equipment, automatic assembly lines and coating. We have formed a team for design,

Research. Our new test center as a public service platform test center in

Liaoning province, become the standard GB of the Chinese valve reference unit, to participate

in the development of relevant valve industry standards. In order to accelerate the

Expansion of the integration of companies and resources abroad, and to support the success of RKS

Fluid sales in the United States, German, Russia. We have an American agent.

Our product design standards

Cover: GB, ISO, German and American standard, approved by TUV for this and adwo- 2000,

ISO9001, TS, API. Our products: manual ball valves, pneumatically and electrically,

Butterfly valves and door valves. Anti-return valves, automatic control valves.

Castings and

Fitting: valve body, hats, discs, stems, gearbox, universal couplings, bridle adapters,

Pressing cups. After years of development, we continue to improve and seek innovation

while joining "proven technology, higher functionalities and legendary value" as our

Product value philosophy. Customer satisfaction is our work goal!

I Activity field: Fluid control products, technologies and environmental protection products.

II Advanced CNC machining centers, professional process cells, welding equipment, automatic assembly lines and coating.

III Standard reference unit of China, to participate in the development of relevant standards of the valves industry.

IV We have created a research and development center in Houston, Texas, in the United States.

V Product standard: GB, German Standard, American Standard, TUV CE, ISO 9001, Adwo-2000, TS, Ped, WRC WRA, KTW, API 6D, API609.

VI Main production: Butterfly valve, ball valve, grid valve, anti-return valves, globe valves, pipe fittings, manual / pneumatic / electric actuator, valve parts.

Our Certificates



Exhibition Photos

