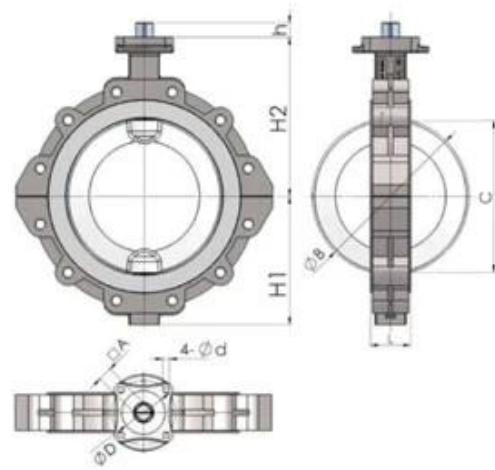


Wafer



Lug

IMPERIAL DIMENSIONS:Inches

| Size | L | H1 | H2 | h | A | B | C | D | d | ISO5211 |
|----------|------|------|-------|------|------|-------|-------|------|------|---------|
| NPS2 | 1.69 | 2.20 | 5.31 | 0.47 | 0.43 | 2.01 | 1.08 | 1.97 | 0.28 | F05 |
| NPS2 1/2 | 1.81 | 3.35 | 5.91 | 0.47 | 0.43 | 2.72 | 1.99 | 1.97 | 0.28 | F05 |
| NPS3 | 1.81 | 3.74 | 6.30 | 0.63 | 0.55 | 3.27 | 2.70 | 2.76 | 0.35 | F07 |
| NPS4 | 2.05 | 4.13 | 7.09 | 0.63 | 0.55 | 4.06 | 3.50 | 2.76 | 0.35 | F07 |
| NPS5 | 2.20 | 4.92 | 7.68 | 0.63 | 0.55 | 5.00 | 4.49 | 2.76 | 0.35 | F07 |
| NPS6 | 2.20 | 5.71 | 10.04 | 0.63 | 0.55 | 5.98 | 5.57 | 2.76 | 0.35 | F07 |
| NPS8 | 2.36 | 6.69 | 9.45 | 0.83 | 0.75 | 7.99 | 7.64 | 4.02 | 0.47 | F10 |
| NPS10 | 2.68 | 8.07 | 11.81 | 0.94 | 0.87 | 10.00 | 9.65 | 4.92 | 0.51 | F12 |
| NPS12 | 3.07 | 9.84 | 12.20 | 1.14 | 1.06 | 12.01 | 11.61 | 4.92 | 0.51 | F12 |



PTFE Butterfly Valve

BSEN 1092, DIN 2501, ANSI, JIS, AS2129

Size: DN50~DN600

Body: Ductile Iron

Disc: Ductile Iron+PTFE

Seat: PTFE

Connection: Wafer, Lug, Flange



PTFE Butterfly Valve

BSEN 1092, DIN 2501, ANSI, JIS, AS2129

Size: DN50~DN600

Body: Ductile Iron

Disc: Ductile Iron+PTFE

Seat: PTFE

Connection: Wafer, Lug, Flange



PTFE Butterfly Valve

BSEN 1092, DIN 2501, ANSI, JIS, AS2129

Size: DN50~DN600

Body: WCB, CF8, CF8M

Disc: CF8+PTFE, CF8M+PTFE

Seat: PTFE

Connection: Wafer, Lug



PTFE Butterfly Valve

BSEN 1092, DIN 2501, ANSI, JIS, AS2129

Size: DN50~DN600

Body: WCB, CF8, CF8M

Disc: CF8+PTFE, CF8M+PTFE

Seat: PTFE

Connection: Wafer, Lug



PTFE Butterfly Valve

BSEN 1092, DIN 2501, ANSI, JIS, AS2129

Size: DN50~DN600

Body: Ductile Iron

Disc: CF8, CF8M

Seat: PTFE

Connection: Wafer, Lug, Flange



PTFE Butterfly Valve

BSEN 1092, DIN 2501, ANSI, JIS, AS2129

Size: DN50~DN600

Body: WCB

Disc: CF8 +PTFE, CF8 +PFA

Seat: PTFE

Connection: Wafer, Lug, Flange

APPLICATION SCENARIO



Industrial water application



Nuclear plant



Petroleum



Steel



Wastewater treatment



Acid-base



Food



Irrigation



Company Advantages



I Business area: fluid control products, technology and environmental protection products.

II Advanced CNC machining centers, professional process cells, wide-range welding equipment, automatic assembly lines and coating.

III China's standard reference unit, to participate in the development of relevant valve industry standards.

IV We have set up a research and development center in Houston, Texas, in the United States.

V Product Standard: GB, German Standard, American Standard, TUV CE, ISO 9001, ADWO-2000, TS, PED, WRC WRAS, KTW, API 6D, API609.

VI Main production: butterfly valve, ball valve, gate valve, check valve, globe valves, pipe fittings, manual / pneumatic / electric actuator, valve parts.

Exhibition Photos



Our Certificates



FAQ

Q: If I need quotation, what informations do we need?

A: Valves' materials, Temperature, Pressure, Medium, Applplication System.

Q: Can you provide actuators, what you have?

A: Pneumatic, Electric, Hrdraulic, Solenoid Valves. RKSfluid actuators adopt USA technology. Which you need, just tell us.

Q: What's your productive capacity?

A: RKSfluid has four plants that can provide the products you need.

Q: Production lead time

A: Normal products have stock in 2~5 working days. Customized base on your need.

Q: MOQ

A: 1pc for all products.

Q: How about the quality assurance?

A: 100% quality test before delivery, 2 years warranty. Ensure your system working safety. We got TUV, API, WRAS, CE, ISO certification. Standard conform to DIN, ASME, BS EN, JIS, API, AWWA.

Q: How could you provide quality service to our customers?

A: RKSfluid own 20 years experiences and more than 70 R&D engineers provide technical support, model selection and installation guidance for you.