



# RKSfluid®

A key Valve in Flow Control



Butterfly Valve



Ball Valve



Gate Valve



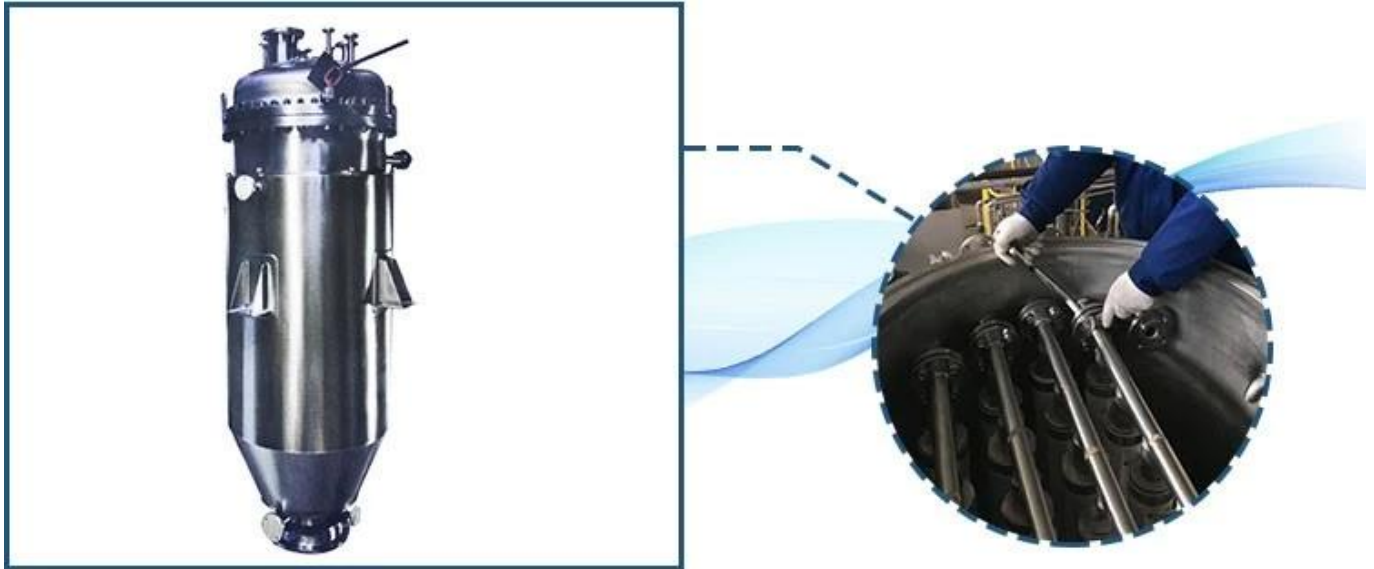
Globe Valve



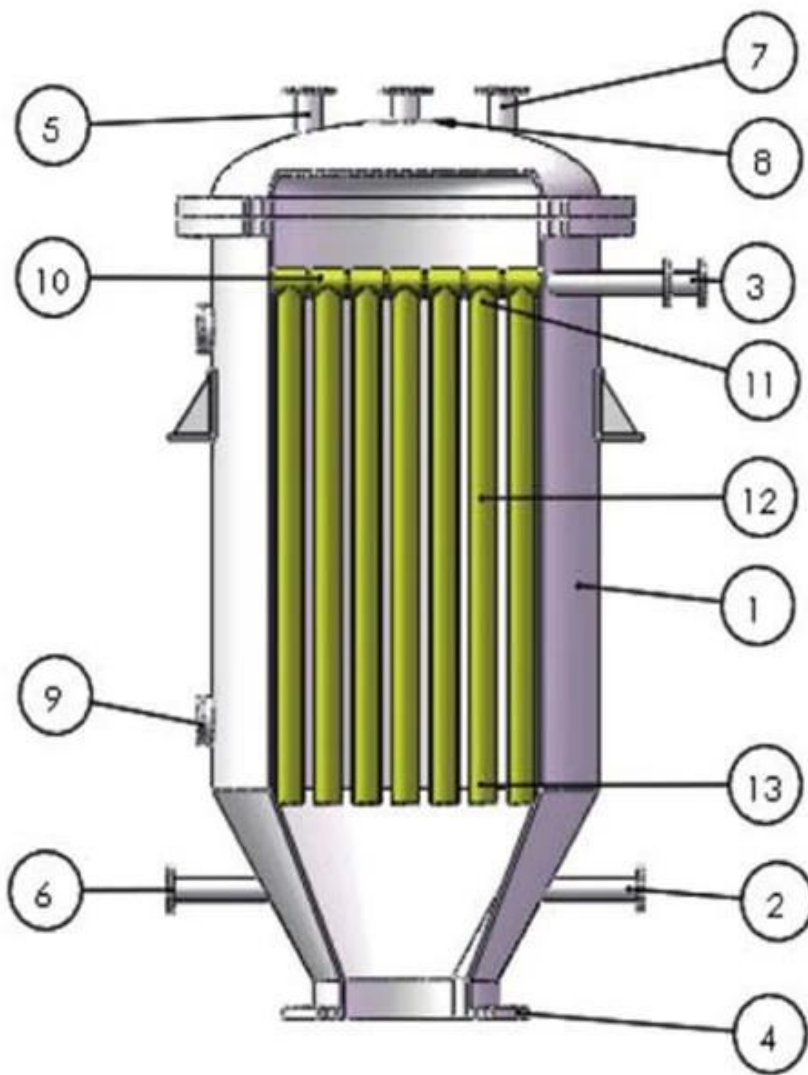
Check Valve



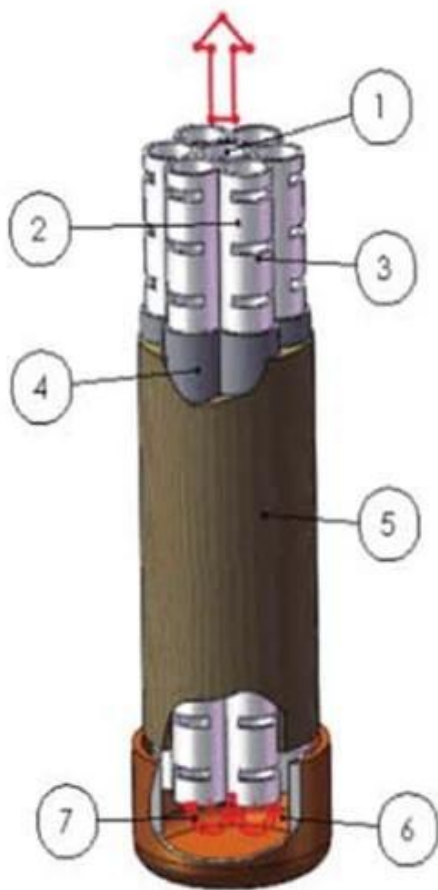
Pipe Fittings



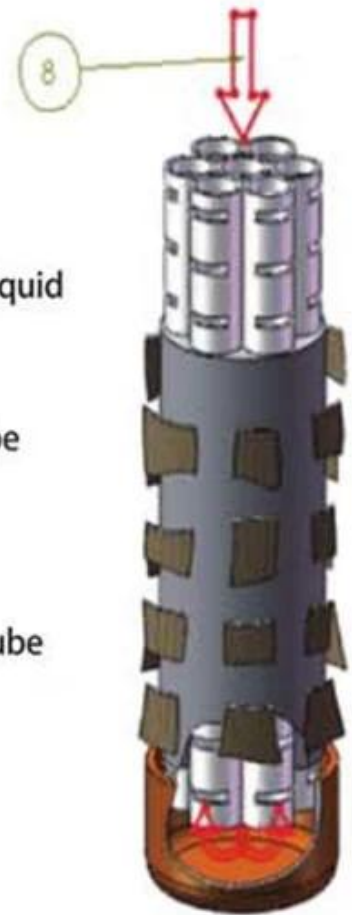
- Intelligent system, fully automatic sealing operation
- Seal zero leakage, unique structure easy for back flushing
- High efficiency by purified gas back washing
- High impurity content of filtration 0.1% ~ 50%
- Removable, porous wick, easy to replace, clean and maintain
- Designed for high production standard. Such as non-polluting food, biological products, medicine, fine chemistry, etc.



- 1, Pressure Vessel
- 2, Outlet
- 3, Outlet of clear liquid
- 4, Deslagging Port
- 5, Vent & Overflow port
- 6, Feed port
- 7, Connection port of instruments
- 8, Standby Port
- 9, Viewport
- 10, Liquid collection tube
- 11, Filtration unit
- 12, Filtration medium
- 13, Clamp for fixed the filter element



1. Central tube & Clear liquid collection tube
2. Filtration tube
3. A hole of filtration tube
4. Filtration medium
5. Filter cake
6. Collection chamber (connect the centre tube and filtration tube)
7. Clear liquid
8. Backflush gas



## Our Factory



## Company Advantages

01

21 years of professional experience

03

Independent research and development team  
28 top senior professional researchers

05

100% high level ex-factory inspection

07

2 years quality assurance, repair and replacement

4 factories

02

2 professional testing centers

04

High quality imported materials

06



1. Mainly products Bag Filter, Cartridge Filter, Self-cleaning Filter, Modular Self-cleaning Filter, PP Filter, Filter bag, Filter Element, Filter Material, sea water desalination, Portable desalination system, Candle Filter.
2. More than ten years of experience in filter production and development, with a number of industry invention patents.
3. Supply API,AWWA,ASME,BS EN,DIN,JIS standard,TUV,CE,ISO9001,TS,OHSAS,WRAS certificated.
4. According to the actual working condition, professional R & D team can provide the solution of solid-liquid separation of the filter

## Exhibition Photos



## Our Certificates



### FAQ

Q1: How could we get quotation?

A1: Normal provide us medium, temp., pressure.

Q2: How long is the delivery time?

A2: Simple filter 5-10 days, design filter 15-90 days on different request.

Q3: What about the payment term?

A3: T/T 30% deposit, balance payment after finished production before shipment. Or as discussed.

Q4: What's your MOQ? Can I have a sample order?

A4: We can support 1pc order, welcome to check our quality. We accept sample order.

Q5: What's your quality inspection? Do you test all your goods before delivery?

A5: Yes, 100% test. The equipment will be debugged before leaving the factory.

Q6: Could I customize special request like material and parts?

A6: Sure, provide your request list, our engineers will change the system as you need, to

ensure the filtration work excellent

Q7: How do you provide after-sales service and installation?

A7: Warranty 1years. We provide filed installation, please contact us for quotation.