

EPDM/NBR Rubber Fully Coated Diffuser Valve

EPDM/NBR Rubber Fully Coated Diffuser Valve

• Streamlined, minimum noise

• Backflow velocity only 0.2s, Head loss 0.1bar with 2m/s

• EPDM/NBR Rubber fully coated disc

• Anti-erosion design. Self-adjusting ball

• Self-cleaning stem, Long time smooth operation

• Streamlined, minimum noise

• Backflow velocity only 0.2s, Head loss 0.1bar with 2m/s

• EPDM/NBR Rubber fully coated disc

• Anti-erosion design. Self-adjusting ball

• Self-cleaning stem, Long time smooth operation

• Backflow velocity only 0.2s, Head loss 0.1bar with 2m/s

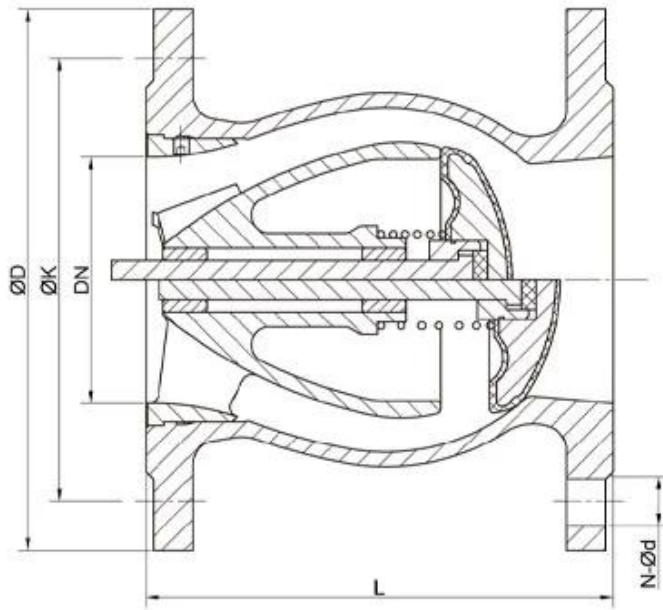
• EPDM/NBR Rubber fully coated disc

• Anti-erosion design. Self-adjusting ball

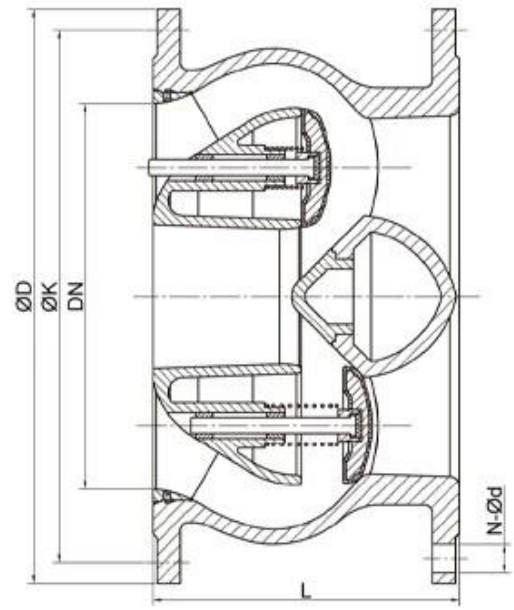


- Streamlined, minimum noise
- Backflow velocity only 0.2s, Head loss 0.1bar with 2m/s
- EPDM/NBR Rubber fully coated disc
- Anti-erosion design. Self-adjusting ball
- Self-cleaning stem, Long time smooth operation

口径	DN50 - DN600 (NPS2 -NPS24)
公称压力	PN10/16/22
工作温度	0 °C ~+80 °C
密封材料	EPDM/NBR Rubber fully coated disc
执行标准	GB/T 12235-2007
产品标准	EN 558-1
法兰标准	EN 1092-2



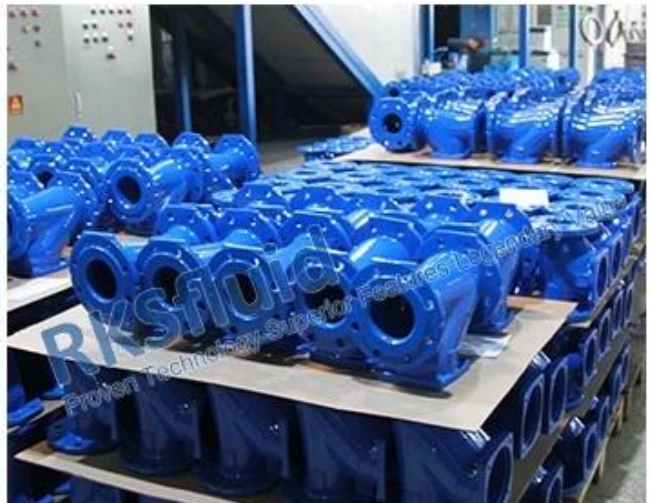
NPS2-NPS14 (DN50-DN350)



NPS16-NPS24 (DN400-DN600)



COMPANY FACTORY



01

21 years of professional experience

03

Independent research and development team
28 top senior professional researchers

05

100% high level ex-factory inspection

07

2 years quality assurance, repair and replacement

4 factories

02

2 professional testing centers

04

High quality imported materials

06

COMPANY QUALIFICATION



Q: 請問...

A: 2 ~ 5 請問...

Q: **MOQ**

A: 1pc 請問...

Q: 請問...

A: 100% 2

請問...

TUV, API, WRAS, CE, ISO

DIN, ASME, BS EN, JIS, API, AWWA

Q: 請問...

A: RKSfluid 20 R&D 70

請問...