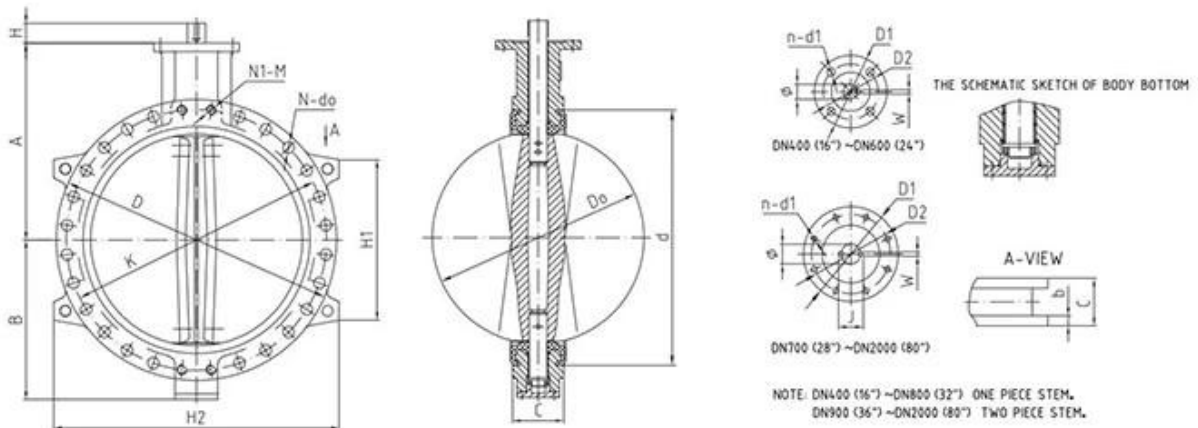


Technical specifications:

1. Dimensions and tolerances
2. Materials and surface finish
3. Coatings and special requirements

DN	DN32 - DN2400 (NPS 1 1/4 - NPS 96)
Pressure Class	PN6 - PN10 - PN16 (Class 150)
Temperature Range	-40 °C to +120 °C
Material	Cast Iron, Cast Steel
Seal Material	NBR, EPDM, PTFE, Viton
End Connections	Flange, lug, u-section, double flange



# APPLICATION SCENARIO



Industrial water application



Power plant



Sea water desalination



Water treatment



Water supply and drainage



HAVC



Food and drug



Water transport









01

21 years of professional experience

03

Independent research and development team  
28 top senior professional researchers

05

100% high level ex-factory inspection

07

2 years quality assurance, repair and replacement

4 factories

02

2 professional testing centers

04

High quality imported materials

06



## COMPANY QUALIFICATION



## COMPANY EXHIBITION



