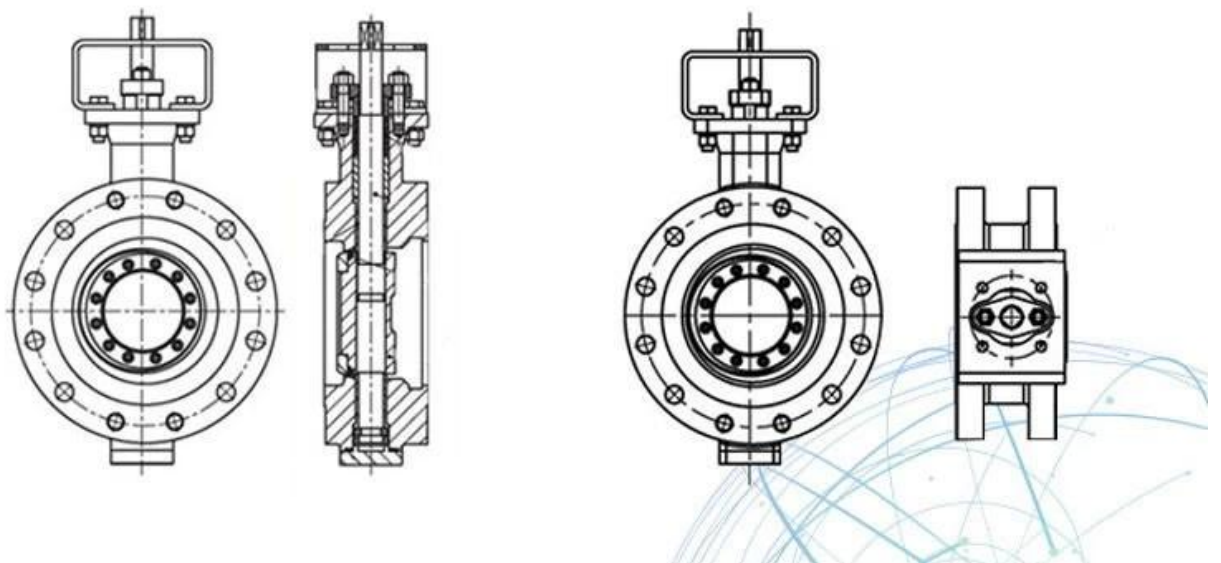


## DESIGN FEATURES



# APPLICATION SCENARIO



Industrial water application



Power plant



Petroleum



Nuclear plant



Hydroelectric power



Marine operation



Healing drugs



Refined coal



# Our Factory





# Company Advantages



i) 21 years of professional experience

ii) Independent research and development team, 28 top senior professional researchers, 2 professional testing centers

unit 100% high level ex-factory inspection

iv) High quality imported materials

√ 认证证书: GB, 质量管理体系, 环境管理体系, TUV CE, ISO 9001, ADWO-2000, TS, PED, WRC WRAS, KTW, API 6D, API609

VI 设计: 企业形象, 办公用品, 宣传册, 展会, 网站, 名片, 信封 / 信纸 / 信封, 办公用品

## Exhibition Photos







Q: 2023年10月10日（星期三）下午2:00-3:00

Q: RKSfluid 2023年10月10日（星期三）下午2:00-3:00 R&D 70 2023年10月10日（星期三）下午2:00-3:00