



DESIGN FEATURES

DURABLE

- No-pin connection, 1 pc blow-out proof stem
- DI/CI Nodularity over 95%

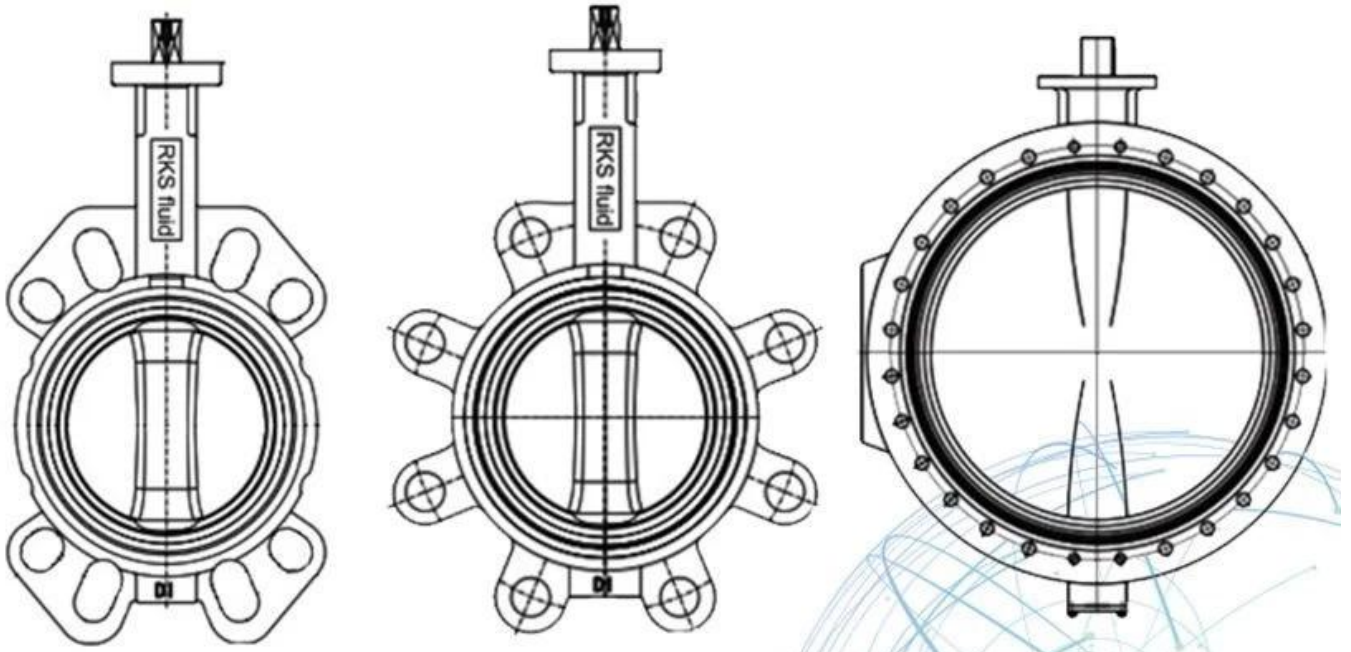
ANTI-CORROSION

- Material: Epoxy powder:  , Earth Best!
- Coating Thickness: 200-250µm
- Spraying temp: over 200°C. Doesn't fade, even wipe with diethyl ether

QUALITY STANDARD

- 100% quality test, follow DIN, ASTM, JIS, GB/T, ISO, BS EN, API
- ONLY ONE Manufacturer get CE certification up to DN1800
- 2 years warranty. 15000 times On-off test, 30000 times Destructive experiment





APPLICATION SCENARIO



Industrial water application



Power plant



Sea water desalination



Water treatment



Water supply and drainage



HAVC



Food and drug



Water transport



Our Factory



Company Advantages

01

21 years of professional experience

03

Independent research and development team
28 top senior professional researchers

05

100% high level ex-factory inspection

07

2 years quality assurance, repair and replacement

4 factories

02

2 professional testing centers

04

High quality imported materials

06



area 项目地址: 内蒙古自治区包头市青山区钢铁大街东端南侧

II 项目概况: 该项目为RKSfluid在内蒙古包头市青山区新建的工业厂房及办公楼项目, 总建筑面积约10万平方米。

reference 参考标准: 项目设计遵循国家及地方相关标准, 包括GB 50001-2010《建筑结构荷载规范》等。

IV 项目特点: 该项目具有规模大、工期紧、质量要求高等特点, 对施工组织设计提出了更高的要求。

Standard 执行标准: GB, 项目设计遵循国家及地方相关标准, 包括GB 50001-2010, TUV CE, ISO 9001, ADWO-2000, TS, PED, WRC WRAS, KTW, API 6D, API609

VI 项目难点: 项目地处城市边缘, 交通不便, 材料运输难度大; 同时, 项目工期紧张, 施工组织设计需充分考虑现场实际情况, 确保工程按期、保质完成。

Q: 100% 100% 100% 100% 100% 100% 100% 100% 100% 100%

A: 100%, 100%, Hrdraulic, 100% 100% 100% RKSfluid 100% 100% 100% 100%

Q: 100% 100% 100% 100% 100%

A: RKSfluid 100% 100% 100% 100% 100% 100% 100% 100%

Q: 100% 100% 100%

A: 100% 100% 100% 2 ~ 5 100% 100% 100% 100% 100% 100%

Q: 100% 100%

A: 1 100% 100% 100% 100% 100%

Q: 100% 100% 100% 100% 100% 100%

A: 100% 100% 100% 100% 100% 2 100% 100% 100% 100% 100% 100%

100% 100% TUV, API, WRAS, CE, ISO 100%

100% 100% 100% DIN, ASME, BS EN, JIS, API, AWWA

Q: 100% 100% 100% 100% 100% 100% 100% 100%

A: RKSfluid 100% 100% 100% 20 100% 100% R&D 100% 70 100% 100% 100%