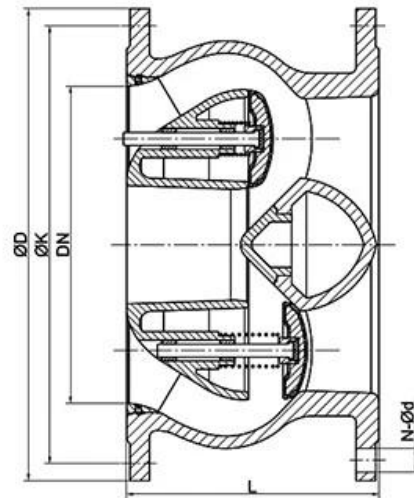


DESIGN FEATURES

Features

1. Streamlined: minimum noise
2. Anti-static design
3. Double Block & Bleed
4. Automatic Self-Venting Seats
5. Emergency Protection



APPLICATION SCENARIO



Industrial water application



Power plant



Sea water desalination



Water treatment



Water supply and drainage



HAVC



Food and drug



Water transport



COMPANY INFORMATION



i 本公司拥有完善的质量管理体系，通过了 ISO 9001 认证，确保了产品质量的稳定性和可靠性。

ii 本公司拥有先进的 CNC 加工设备，能够满足各种复杂零件的加工需求，加工精度高，交货周期短。

unit 本公司拥有专业的技术团队，能够为客户提供专业的技术支持和售后服务，确保客户满意。

iv 本公司拥有完善的安全管理体系，确保了生产过程中的安全性和环保性。

v 本公司通过了 GB, ISO 9001, TUV CE, ADWO-2000, TS, PED, WRC WRAS, KTW, API 6D, API609 等认证。

VI 本公司拥有完善的质量管理体系，通过了 ISO 9001 认证，确保了产品质量的稳定性和可靠性。

01

21 years of professional experience

03

Independent research and development team
28 top senior professional researchers

05

100% high level ex-factory inspection

07

2 years quality assurance, repair and replacement

4 factories

02

2 professional testing centers

04

High quality imported materials

06

COMPANY QUALIFICATION



COMPANY EXHIBITION



Q: How long is the lead time for your products?

A: It depends on the quantity and the complexity of the order. Generally, it takes 4-6 weeks.

Q: Can you provide a technical drawing or specification for your products?

A: Yes, we can provide technical drawings and specifications for our products. We also offer hydraulic, pneumatic, and RKSfluid Actuators. We can provide detailed technical drawings and specifications for your reference.

Q: What are the main materials used in your products?

A: RKSfluid products are made from high-quality materials such as stainless steel, aluminum, and carbon steel.

Q: What are the typical applications of your products?

A: Our products are widely used in various industries, including oil and gas, chemical, food and beverage, and pharmaceuticals. They are used for controlling valves and actuators in different systems.

Q: **moq**

A: 1pc. We accept small orders and provide a wide range of services.

Q: How long is the warranty for your products?

A: We provide a 100% warranty for our products. If there is any issue with the product, we will replace it or provide a refund. We also offer 2 years of free maintenance service.

Q: What are the certifications of your products?

A: Our products are certified by TUV, API, WRAS, CE, and ISO. We also comply with DIN, ASME, BS EN, JIS, API, and AWWA standards.

Q: How long has your company been in the industry?

A: RKSfluid has been in the industry for over 20 years. We have a strong R&D team with over 70 years of experience in manufacturing high-quality products.