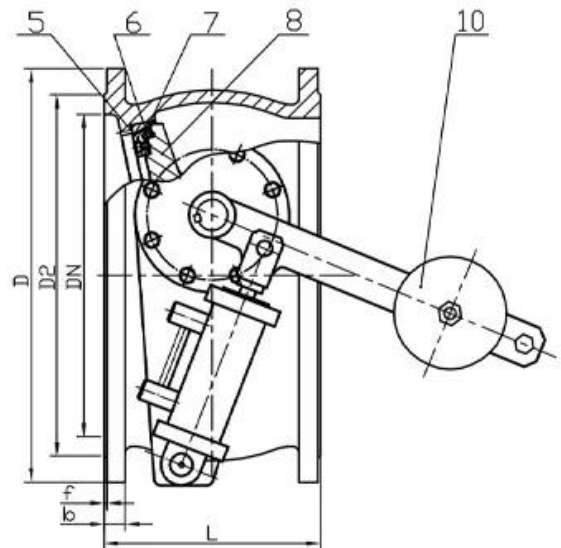
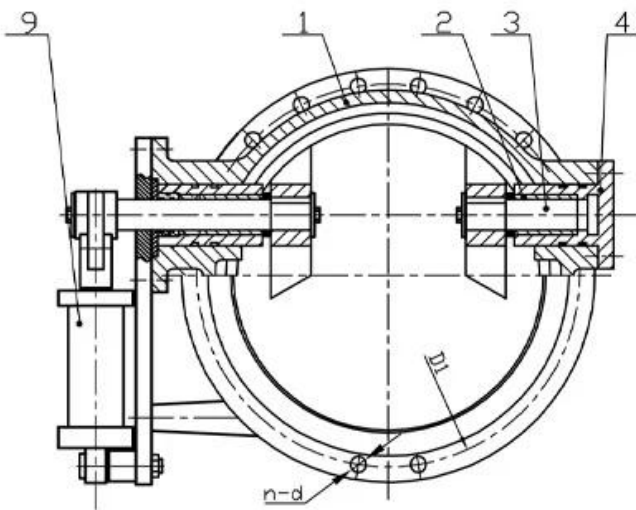


## PRODUCT STRUCTURE

### Features

- Size range DN100-1200mm
- Standard-ISO/ BS/DIN /AWWA/API
- Tests standard-BS EN 12266-1
- Body-Ductile Iron/Cast Iron/Stainless Steel/WCB
- Body Ring-SS420/SS304/SS316
- Disc Ring-EPDM
- Shaft-420/S5431/SS316
- Fusion bonded epoxy coating- Min 300 Microns

This series tilting check valves are suitable to be used at the exit of the pump whose medium is water. It is used to prevent or reduce medium back from water hammer. So it can protect the pipeline system. Suitable temperature  $\leq 80^{\circ}\text{C}$



# APPLICATION SCENARIO



Industrial water application



Power plant



Sea water desalination



Water treatment



Water supply and drainage



HAVC



Food and drug



Water transport



# COMPANY FACTORY





# COMPANY INFORMATION



i 本公司拥有先进的生产设备，包括数控机床、加工中心、磨床、铣床、刨床、钻床、冲床、折弯机、剪板机、折弯机等，能够满足各种规格和材质的加工需求。

ii 本公司拥有完善的质量管理体系，通过了 ISO 9001 质量管理体系认证，并通过了 GB/T 19001-2016 质量管理体系认证，确保了产品质量的稳定性和可靠性。

unit 本公司拥有专业的技术团队，具备丰富的生产经验和精湛的技术水平，能够为客户提供专业的技术支持和解决方案。

iv 本公司拥有完善的生产流程，从原材料采购到成品出厂，每一个环节都严格把控，确保了产品的质量和交货周期。

v 本公司拥有完善的质量管理体系，通过了 GB, ISO 9001, TUV CE, ADWO-2000, TS, PED, WRC WRAS, KTW, API 6D, API609 等认证。

VI 本公司拥有完善的质量管理体系，通过了 GB, ISO 9001, TUV CE, ADWO-2000, TS, PED, WRC WRAS, KTW, API 6D, API609 等认证。

01

21 years of professional experience

03

Independent research and development team  
28 top senior professional researchers

05

100% high level ex-factory inspection

07

2 years quality assurance, repair and replacement

4 factories

02

2 professional testing centers

04

High quality imported materials

06

# COMPANY QUALIFICATION



# COMPANY EXHIBITION



Q: What are the main products of RKSfluid?

A: RKSfluid provides a wide range of hydraulic actuators and valves for various industrial applications.

Q: What are the main products of RKSfluid?

A: RKSfluid provides a wide range of hydraulic actuators and valves for various industrial applications. RKSfluid Actuators include hydraulic cylinders, hydraulic valves, and hydraulic pumps.

Q: What are the main products of RKSfluid?

A: RKSfluid provides a wide range of hydraulic actuators and valves for various industrial applications.

Q: What are the main products of RKSfluid?

A: RKSfluid provides a wide range of hydraulic actuators and valves for various industrial applications. 2 ~ 5 years warranty is provided for all products.

Q: **moq**

A: 1pc for most products.

Q: What are the main products of RKSfluid?

A: RKSfluid provides a wide range of hydraulic actuators and valves for various industrial applications. 100% quality control is ensured. 2 years warranty is provided for all products.

Q: What are the main products of RKSfluid?

A: RKSfluid provides a wide range of hydraulic actuators and valves for various industrial applications. TUV, API, WRAS, CE, ISO, DIN, ASME, BS EN, JIS, API, AWWA.

Q: What are the main products of RKSfluid?

A: RKSfluid provides a wide range of hydraulic actuators and valves for various industrial applications. 20 years R&D experience and 70 years of production history.