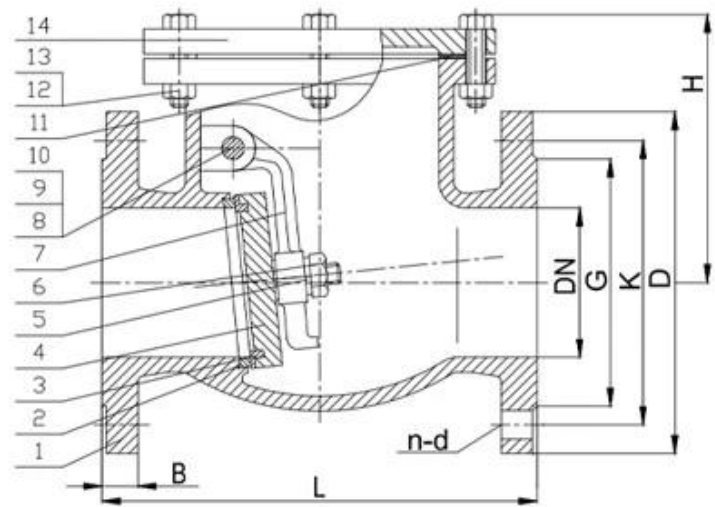
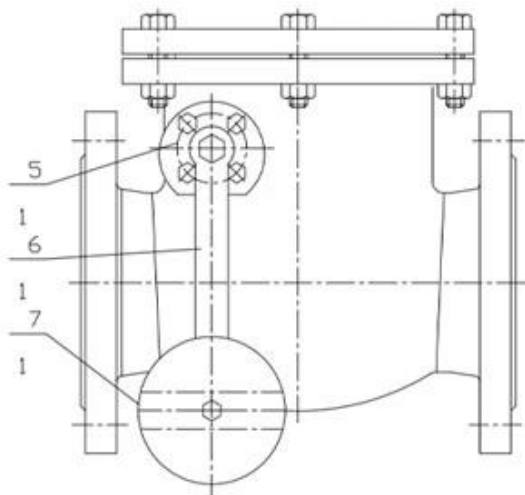


[www.kamstrup.com](#)

Kamstrup is a leading manufacturer of flow meters and meters for water, gas and steam. The company has a long history of innovation and reliability, and its products are used in a wide range of applications.

Material	Steel C515
Standard	ASME B16.1/16.42
Pressure Class	ANSI Class 5153
Standard	EN12266
Pressure Class	ANSI Class 5153
Material	Steel
Temperature Range	0-80 °C
Pressure Class	11/18 ANSI
Pressure Class	15/24 ANSI
Pressure Class	10/16 ANSI
Pressure Class	DN40-DN400



APPLICATION SCENARIO



Industrial water application



Power plant



Sea water desalination



Water treatment



Water supply and drainage



HAVC



Food and drug



Water transport



COMPANY INFORMATION



I 公司总部： 中国浙江省宁波市北仑区新碶街道新碶社区新碶村新碶路1号

II 公司生产基地： 中国浙江省宁波市北仑区新碶街道新碶社区新碶村新碶路1号

III 公司销售中心： 中国浙江省宁波市北仑区新碶街道新碶社区新碶村新碶路1号

IV 公司研发中心： 中国浙江省宁波市北仑区新碶街道新碶社区新碶村新碶路1号

V 公司认证： GB, ISO 9001, ISO 14001, TUV CE, ADWO-2000, TS, PED, WRC WRAS, KTW, API 6D, API609

VI 公司服务： 设计、制造、安装、调试、维护、修理、改造、升级、培训、技术支持、售后服务



COMPANY EXHIBITION



COMPANY QUALIFICATION



Partners



