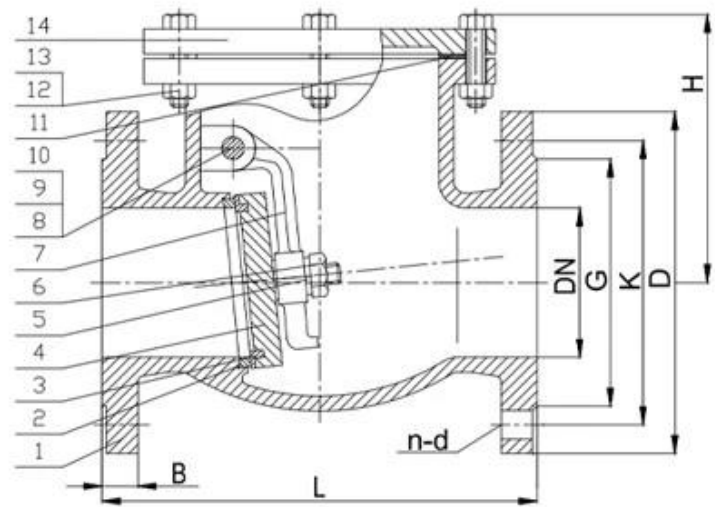
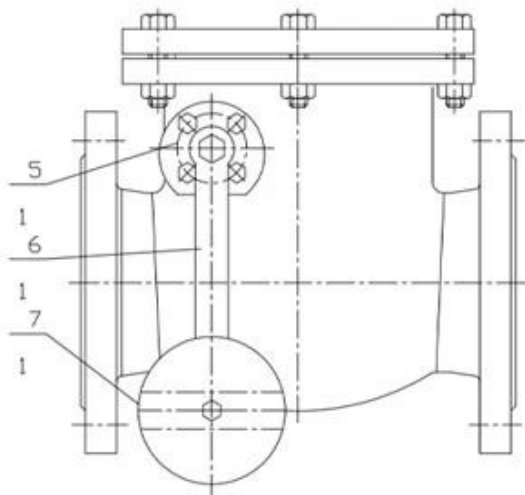


[www.kamstrup.com](#)

Kamstrup is a leading manufacturer of flow meters and meters for water, gas and steam. The company has a long history of innovation and reliability, and its products are used in a wide range of applications.

Material	Material C515
Standard	ASME B16.1/16.42
Pressure Class	Pressure Class 5153
Standard	EN12266
Pressure Class	Pressure Class 5153
Material	Material
Temperature Range	0-80 °C
Pressure Class	11/18 Pressure Class
Pressure Class	15/24 Pressure Class
Pressure Class	10/16 Pressure Class
Pressure Class	DN40-DN400



# APPLICATION SCENARIO



Industrial water application



Power plant



Sea water desalination



Water treatment



Water supply and drainage



HAVC



Food and drug



Water transport







## COMPANY EXHIBITION



# COMPANY QUALIFICATION



## Partners





