

RKSfluid®



RKSfluid®



RKSfluid®




DESIGN FEATURES

DURABLE

- **No-pin** connection, 1 pc **blow-out proof stem**
- DI/CI Nodularity over **95%**

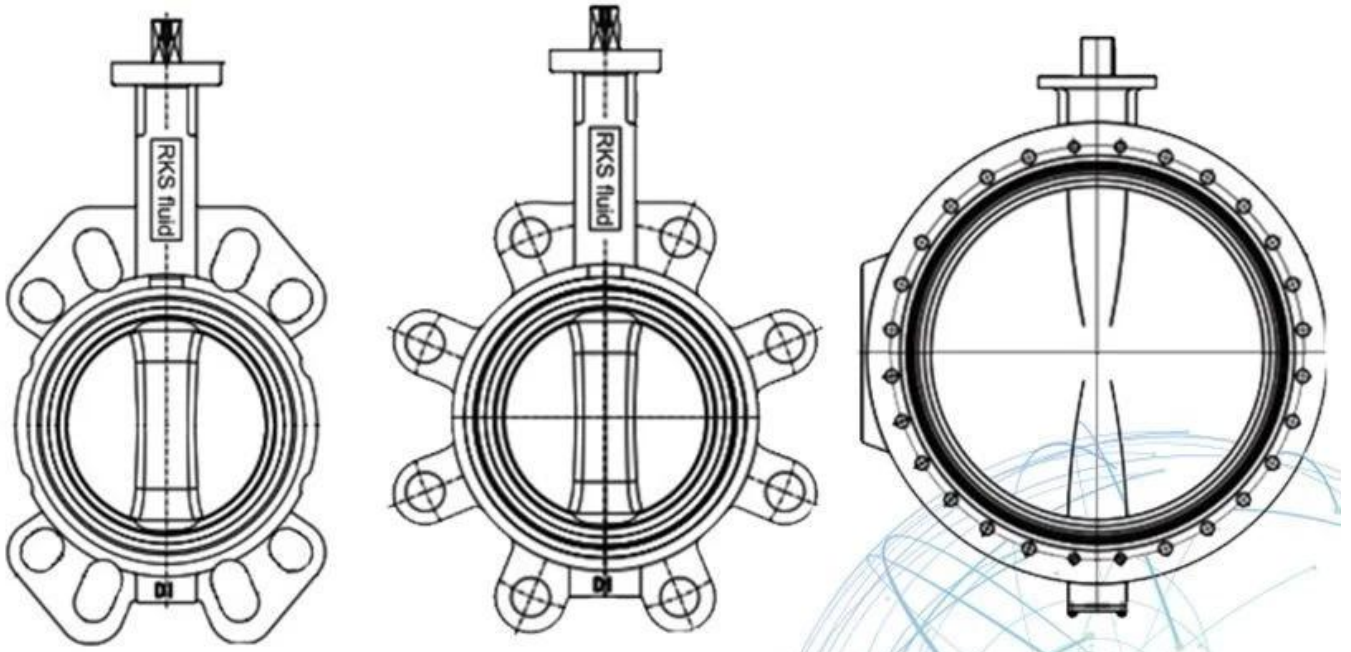
ANTI-CORROSION

- Material: Epoxy powder:  , Earth Best!
- Coating Thickness: **200-250µm**
- Spraying temp: over **200°C**. Doesn't fade, even wipe with diethyl ether

QUALITY STANDARD

- **100% quality test**, follow DIN, ASTM, JIS, GB/T, ISO, BS EN, API
- **ONLY ONE** Manufacturer get **CE** certification up to **DN1800**
- **2 years** warranty. **15000** times On-off test, **30000** times Destructive experiment





APPLICATION SCENARIO

- 
 Industrial water application
- 
 Power plant
- 
 Sea water desalination
- 
 Water treatment
- 
 Water supply and drainage
- 
 HVAC
- 
 Food and drug
- 
 Water transport



RKSfluid 自 1997 年以來，一直致力於為全球客戶提供優質的工業閥門產品。我們擁有先進的生產設備和技術，確保每一顆閥門都符合嚴格的質量標準。我們的產品廣泛應用於工業、市政、海淡、製藥、食品、HVAC 及水運等領域。憑藉著卓越的性能和可靠的質量，RKSfluid 已成為全球客戶的首選品牌。

CE, ISO 9001, ADWO-2000, TS, PED, WRC WRAS, KTW, API 6D,
API609

VI 认证: CE, ISO 9001, ADWO-2000, TS, PED, WRC WRAS, KTW, API 6D, API609

Our Factory



Our Certificates



Exhibition Photos

