

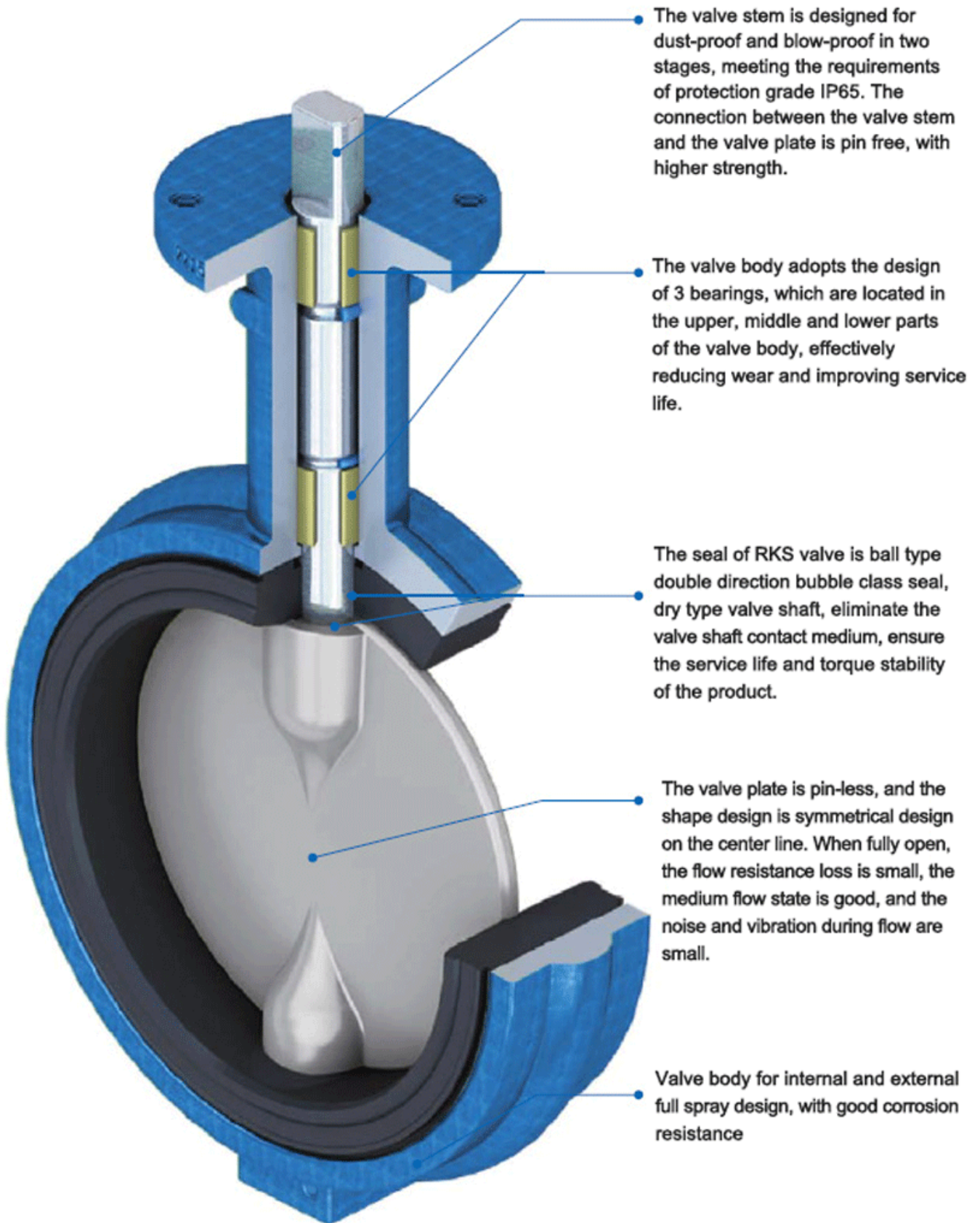
https://www.alibaba.com/product-detail/CF8M-valve-disc-square-hole-price_1600153172850.html?spm=a2747.manage.0.0.680671d2Dla120

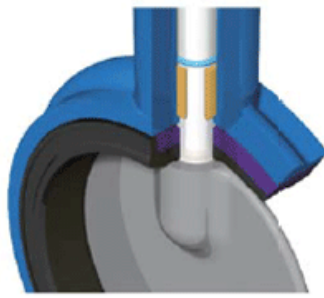
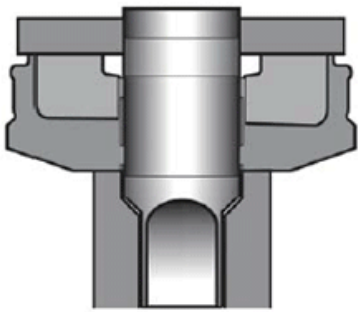


RKSfluid®
A key Valve in Flow Control

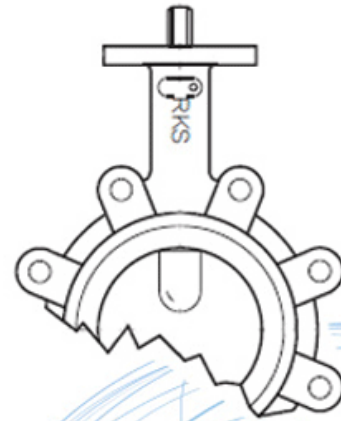
Butterfly Valve Ball Valve Gate Valve Globe Valve Check Valve Pipe Fittings

The image is a promotional graphic for RKSfluid. It features a central logo with a stylized eagle and the text 'RKSfluid®' and 'A key Valve in Flow Control'. Below the logo, six different types of valves and pipe fittings are displayed on a dark background with blue lighting effects. Each item is labeled with its name in a small box at the bottom: Butterfly Valve, Ball Valve, Gate Valve, Globe Valve, Check Valve, and Pipe Fittings. The background also shows a complex industrial piping system.





The composite seat of the RKS valve is formed by permanently gluing an elastomer to a rigid gasket ring. In addition to superior seal integrity, this design makes valve installation easier while reducing high torque and premature failure due to rubber deformation. Modular design simplifies seat replacement and ensures economical maintenance



APPLICATION SCENARIO



Industrial water application



Power plant



Sea water desalination



Water treatment



Water supply and drainage



HAVC



Food and drug



Water transport



Our Factory



Company Advantages



I. 21 years of professional experience

II. Independent research and development team
28 top senior professional researchers

III. 100% high level ex-factory inspection

IV. 2 years quality assurance, repair and replacement

Q: 2024年10月10日（星期三）下午2:00-3:00

Q: RKSfluid 2024年10月10日 R&D 70 2024年10月10日