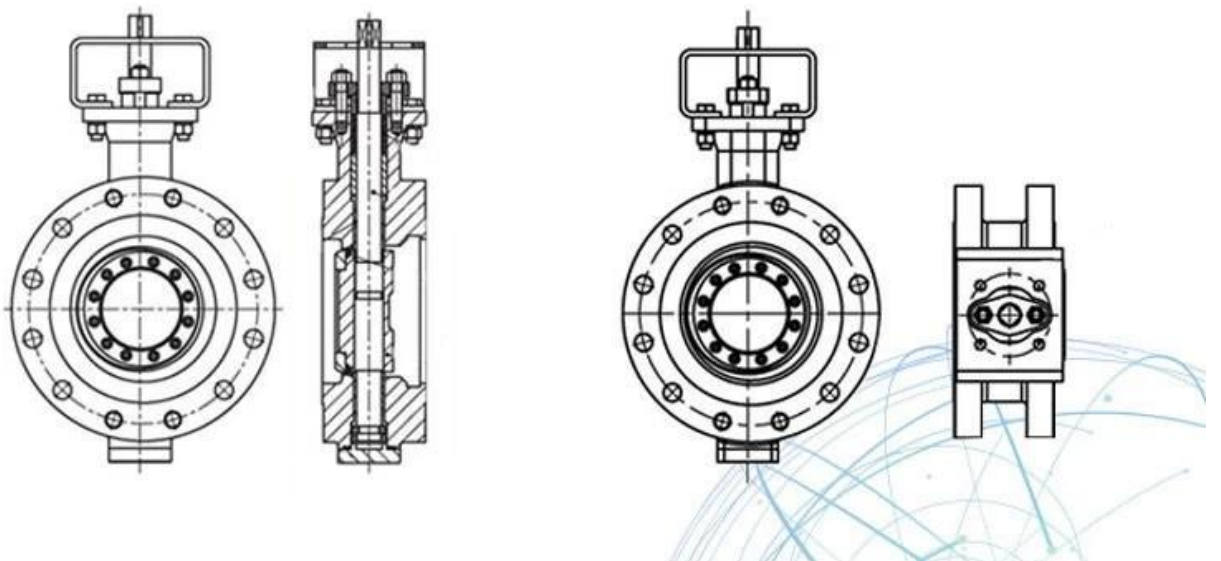


## DESIGN FEATURES



# APPLICATION SCENARIO



Industrial water application



Power plant



Petroleum



Nuclear plant



Hydroelectric power



Marine operation



Healing drugs



Refined coal



# Our Factory



# Company Advantages



i) 21 years of professional experience

ii) Independent research and development team, 28 top senior professional researchers, 2 professional testing centers, 100% high level ex-factory inspection

unit High quality imported materials, 2 years quality assurance, repair and replacement

iv) 4 factories

√ 认证证书: GB, 质量管理体系, 环境管理体系, TUV CE, ISO 9001, ADWO-2000, TS, PED, WRC WRAS, KTW, API 6D, API609

VI 设计: 标志设计, 包装设计, 宣传册设计, 展会设计, 办公用品设计, 网站设计, 名片设计 / 信封信纸 / 员工制服设计, 企业形象识别系统

## Exhibition Photos





Q: How many people are there in the company?

A: RKSfluid has 20 people in R&D and 70 people in production.