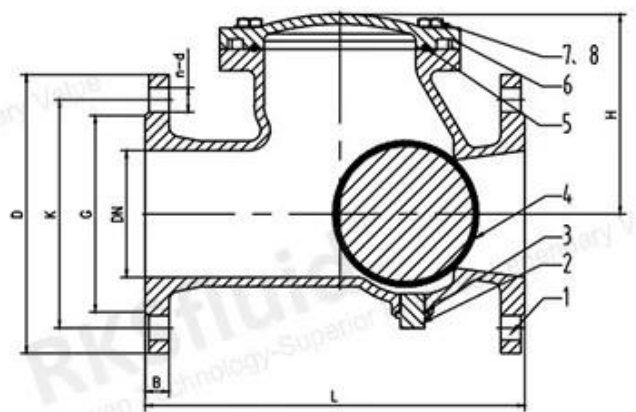
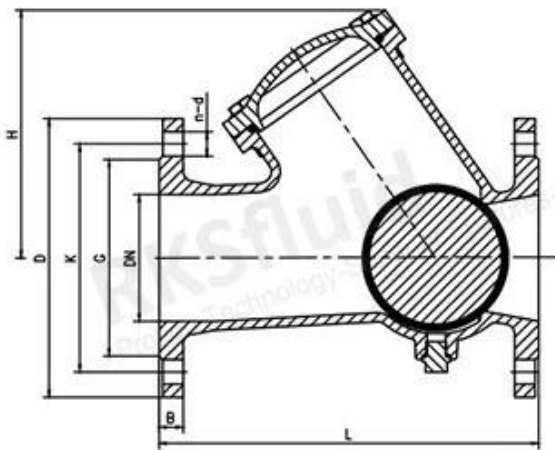
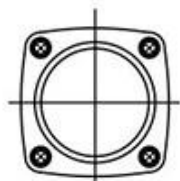


RKSfluid is a leading manufacturer of industrial valves and fittings. The company's products are designed to meet the highest standards of quality and performance. RKSfluid valves are widely used in a variety of industrial applications, including oil and gas, chemical processing, and power generation. The company's products are known for their durability, reliability, and ease of maintenance. RKSfluid is committed to providing its customers with the best possible service and support.

Standard	EN 1171
Material	EN 1092-2
Design	12266-1
Pressure	PN16
Temperature	0-80 °C
Connection	11/18" Flange
End Connection	15/24" Flange
Flange	10/16" Flange
DN	DN40-DN500
Material	Cast Steel



DN40-DN65



DN80-DN150

DN200-DN500

COMPANY INFORMATION



I 公司宗旨： 秉承“以人为本、诚信至上”的经营理念，为客户提供优质、专业的服务。

II 公司优势： 拥有先进的生产设备和专业的技术团队，产品质量稳定可靠，交货周期短。

III 公司资质： 拥有 ISO 9001 质量管理体系认证，产品符合多项国际和国内标准。

IV 公司服务： 提供从产品设计、生产到安装、维护的全方位服务。

V 公司标准： GB, 行业标准, 企业标准, TUV CE, ISO 9001, ADWO-2000, TS, PED, WRC WRAS, KTW, API 6D, API609

VI 公司地点： 总部设在 [具体地址]，在全国多个地区设有分公司和办事处，方便客户就近服务。

COMPANY FACTORY



SHIPPING PACKAGING



01

21 years of professional experience

03

Independent research and development team
28 top senior professional researchers

05

100% high level ex-factory inspection

07

2 years quality assurance, repair and replacement

4 factories

02

2 professional testing centers

04

High quality imported materials

06

COMPANY QUALIFICATION



COMPANY EXHIBITION



Partners



Delivery



Payment



Q: How to pay?

A: We accept Western Union, Escrow, MasterCard, HSBC, Visa, etc.

Q: How long to deliver?

A: It depends on the quantity and destination. **2 weeks?**

Q: How to pack? For example, Hydraulic, RKSfluid, etc.

Q: How to transport?

A: RKSfluid is very heavy and fragile, so we will use wooden cases.

Q: How to inspect?

A: We have a strict quality control system. 2~5 days after production, we will inspect.

Q: How to test?

A: 1. We can test for you.

Q: How to certify?

A: We can provide 100% certification. 2. We can provide certification from TUV, API, WRAS, CE, ISO.

3. We can provide certification from DIN, ASME, BS EN, JIS, API, AWWA.

Q: RKSfluid 20 R&D 70

A: RKSfluid 20 R&D 70