

RKSfluid®



RKSfluid

RKSfluid®



RKSfluid®



RKSfluid

RKSfluid®



RKSfluid®



RKSfluid®




DESIGN FEATURES

DURABLE

- No-pin connection, 1 pc blow-out proof stem
- DI/CI Nodularity over 95%

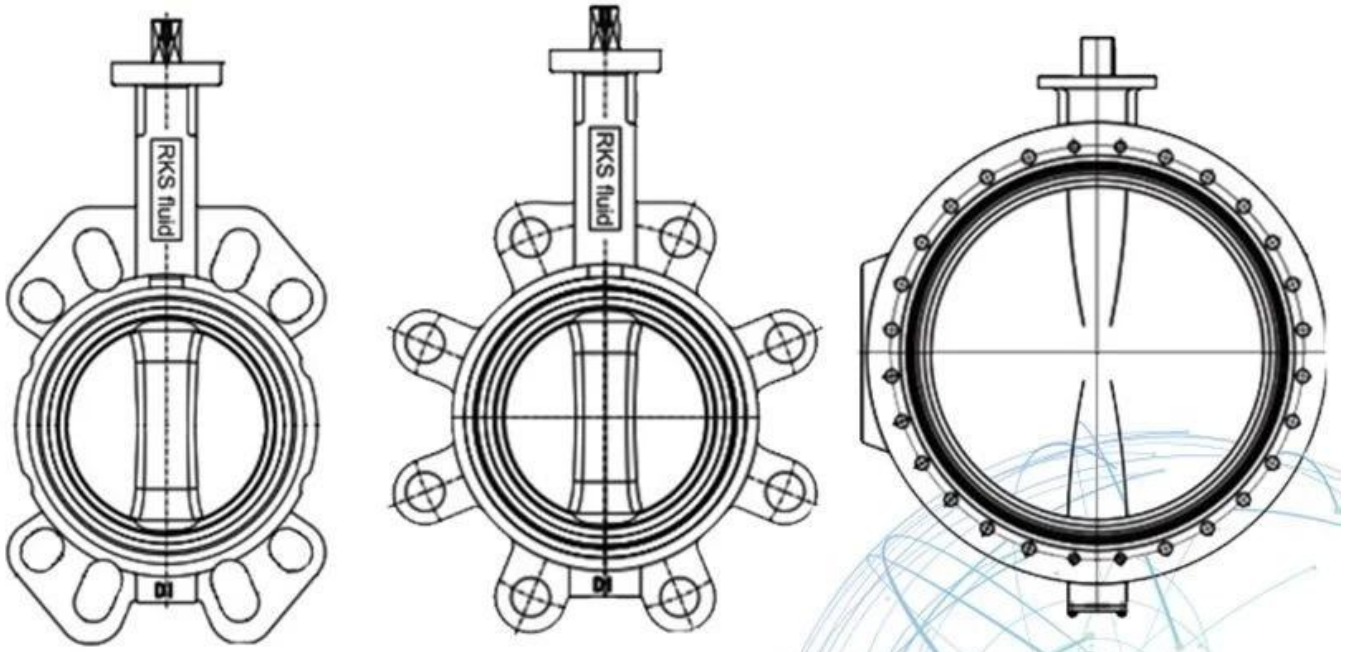
ANTI-CORROSION

- Material: Epoxy powder:  , Earth Best!
- Coating Thickness: 200-250µm
- Spraying temp: over 200°C. Doesn't fade, even wipe with diethyl ether

QUALITY STANDARD

- 100% quality test, follow DIN, ASTM, JIS, GB/T, ISO, BS EN, API
- ONLY ONE Manufacturer get CE certification up to DN1800
- 2 years warranty. 15000 times On-off test, 30000 times Destructive experiment





APPLICATION SCENARIO



Industrial water application



Power plant



Sea water desalination



Water treatment



Water supply and drainage



HAVC



Food and drug



Water transport



Our Factory



Q:

A:

A: RKSfluid, Hydraulic, RKSfluid

Q:

A: RKSfluid

Q:

A: 2 ~ 5

Q:

A: 1

A: 100%

TUV, API, WRAS, CE, ISO

DIN, ASME, BS EN, JIS, API, AWWA

A: RKSfluid 20 R&D 70

Exhibition Photos



Our Certificates

