

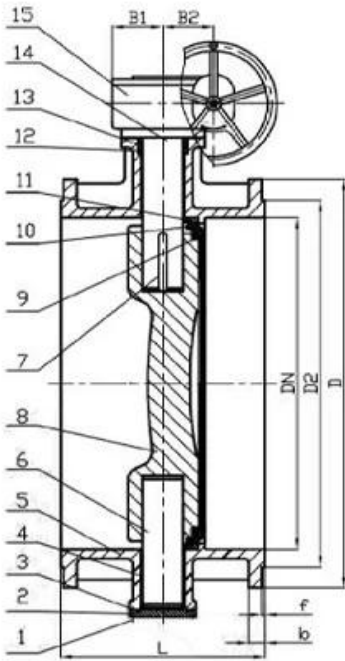
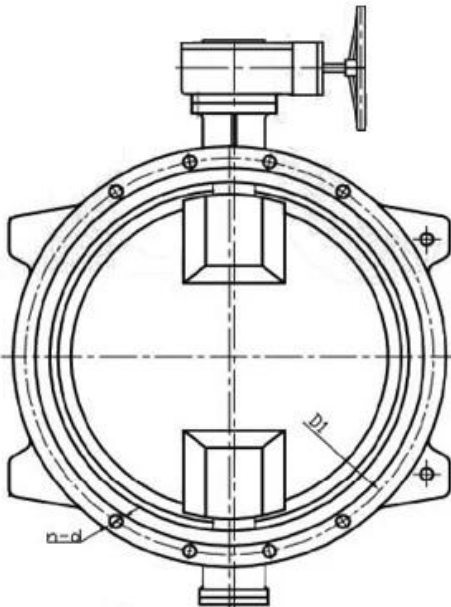
DESIGN FEATURES

This series of butterfly valves are used for industrial pipelines, as bi-directional open and close and regulation devices, the adjustment range is from 40°C-90°C full open. Suitable temperature $\geq 80^{\circ}\text{C}$



Features

- Size range DN100-1200mm
- Standard-ISO/BS/DIN/AWWA/API
- Tests Standard-BS EN 12266-1
- Body-Ductile Iron/Cast Iron/Stainless Steel /WCB
- Body Ring-SS420/SS304/SS316
- Disc Ring-EPDM
- Shaft-SS420/SS431/SS316
- Fusion bonded epoxy coating-Min 300 Microns



| | |
|----------------|---|
| Model | DN200-DN4000 |
| Pressure Class | PN10 PN16 PN25 |
| Material | Cast Iron |
| Body Ring | 304/316 |
| Disc Ring | EPDM |
| Shaft | Cast Iron |
| Standard | EN1092-2:1997 PN16 |
| Application | Water, HVAC, Air Conditioning, Industrial, Marine, etc. |

APPLICATION SCENARIO



Industrial water application



Power plant



Sea water desalination



Water treatment



Water supply and drainage



HAVC



Food and drug



Water transport



COMPANY FACTORY



COMPANY INFORMATION



I 公司宗旨： 秉承“以人为本，诚信至上”的经营理念，为客户提供优质产品和服务。

II 公司优势： 拥有先进的生产设备和专业的技术团队，产品质量稳定可靠，交货周期短。

III 公司资质： 拥有多项国家专利证书，通过了 ISO 9001 质量管理体系认证。

IV 公司服务： 提供全方位的技术支持和售后服务，确保客户满意。

V 公司认证： GB, 国家强制性产品认证, 国家质量监督检验检疫总局, TUV CE, ISO 9001, ADWO-2000, TS, PED, WRC WRAS, KTW, API 6D, API609

VI 公司合作： 与国内外知名企业合作，共同开发新产品，提升市场竞争力。

01

21 years of professional experience

03

Independent research and development team
28 top senior professional researchers

05

100% high level ex-factory inspection

07

2 years quality assurance, repair and replacement

4 factories

02

2 professional testing centers

04

High quality imported materials

06

COMPANY QUALIFICATION



COMPANY EXHIBITION



Partners



Q: RKSfluid 20 R&D 70

A: RKSfluid 20 R&D 70